

xserve



respect > commitment > teamwork

# PN UNC Workgroup

## AQ – Prime & Sub Issues

6<sup>th</sup> September 2011

---

# P&S Issue

---

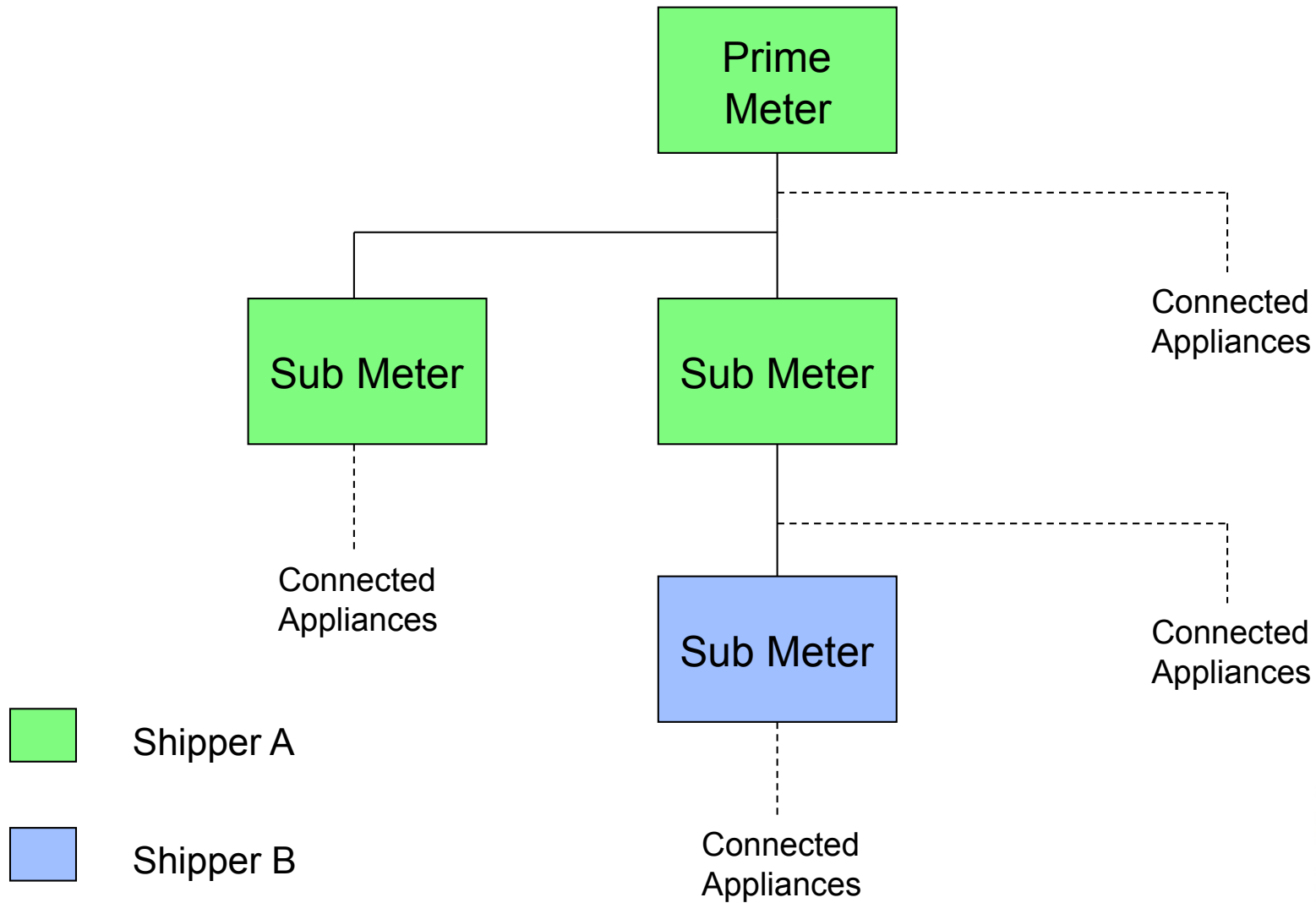
- Action from 18<sup>th</sup> July meeting (NEX07/09)
  - To investigate the effect of moving to a monthly regime on a Prime & Sub configuration
- Issue
  - The Primary meter has its own connected load plus downstream meters (sub-deducts)
  - AQ of the Primary meter should reflect the consumption of the connected load and not include the consumption of any sub-deducts
  - There may be more than 1 sub-deduct
  - Sub-deducts may have their own sub-deducts
  - Meters in a Prime & Sub configuration can be registered by different Shippers

xserve



respect > commitment > teamwork

# Prime & Sub Example Configuration



xserve



respect > commitment > teamwork

# Calculation of P&S AQ

---

- Sub-deducts without a downstream sub can calculate an AQ at any time
- Primary meters, and intermediate subs, need co-terminous reads from all the subs to calculate a new AQ
  - Current rules require a read from all the non daily read sub meters within a 5 day window for Reconciliation purposes

xserve



respect > commitment > teamwork

# Areas for Further Consideration?

---

- Do we need to ensure co-terminous reads are collected for all meters to ensure accurate AQs are calculated?
- Should all meters in a P&S configuration be in the same 'Product' and have the same meter read frequency?
  - Unless meter is a DM Mandatory
- Should the current AQ be used where a read is not obtained from a sub meter?
- P&S read services are provided by the GT – should/will this continue?

xserve



respect > commitment > teamwork