

respect > commitment > teamwork

Read, Submission, Validation & Reconciliation End to End Process Walkthrough

25th November

An information only
call out.

Denotes a change
in the process.

A BRD reference.

 File Changes – No
change

 File Changes -
Minor

 File Changes -
Medium

 File Changes –
Major

 File Changes - New

 Xserve



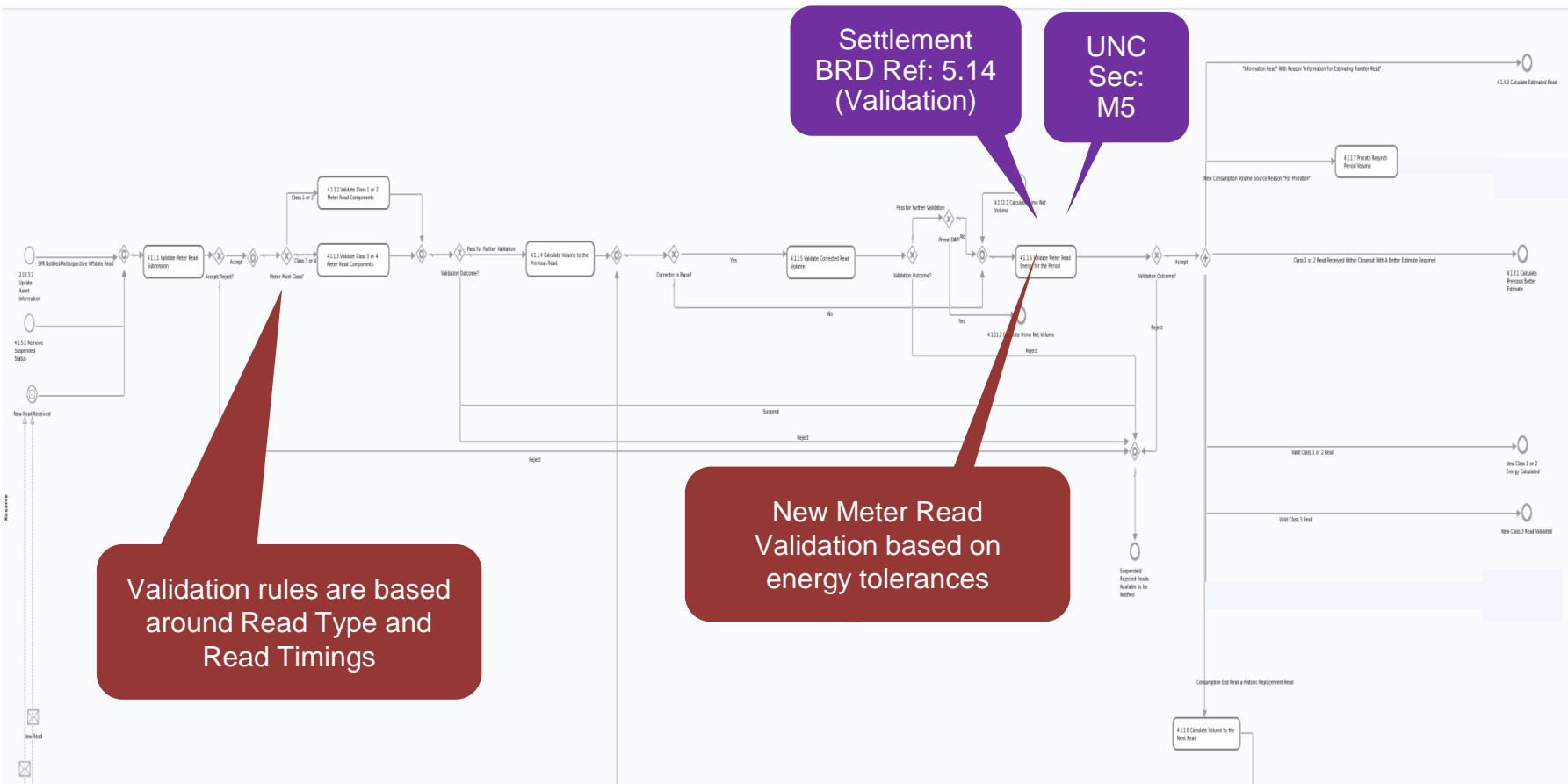
respect > commitment > teamwork

Settlement
BRD Ref: 5.14
(Validation)

UNC
Sec:
M5

Validation rules are based around Read Type and Read Timings

New Meter Read Validation based on energy tolerances



Input Files

UDR – U12
Class 2 reads from Shipper

UBR – U13, U14
Class 3 reads from Shipper

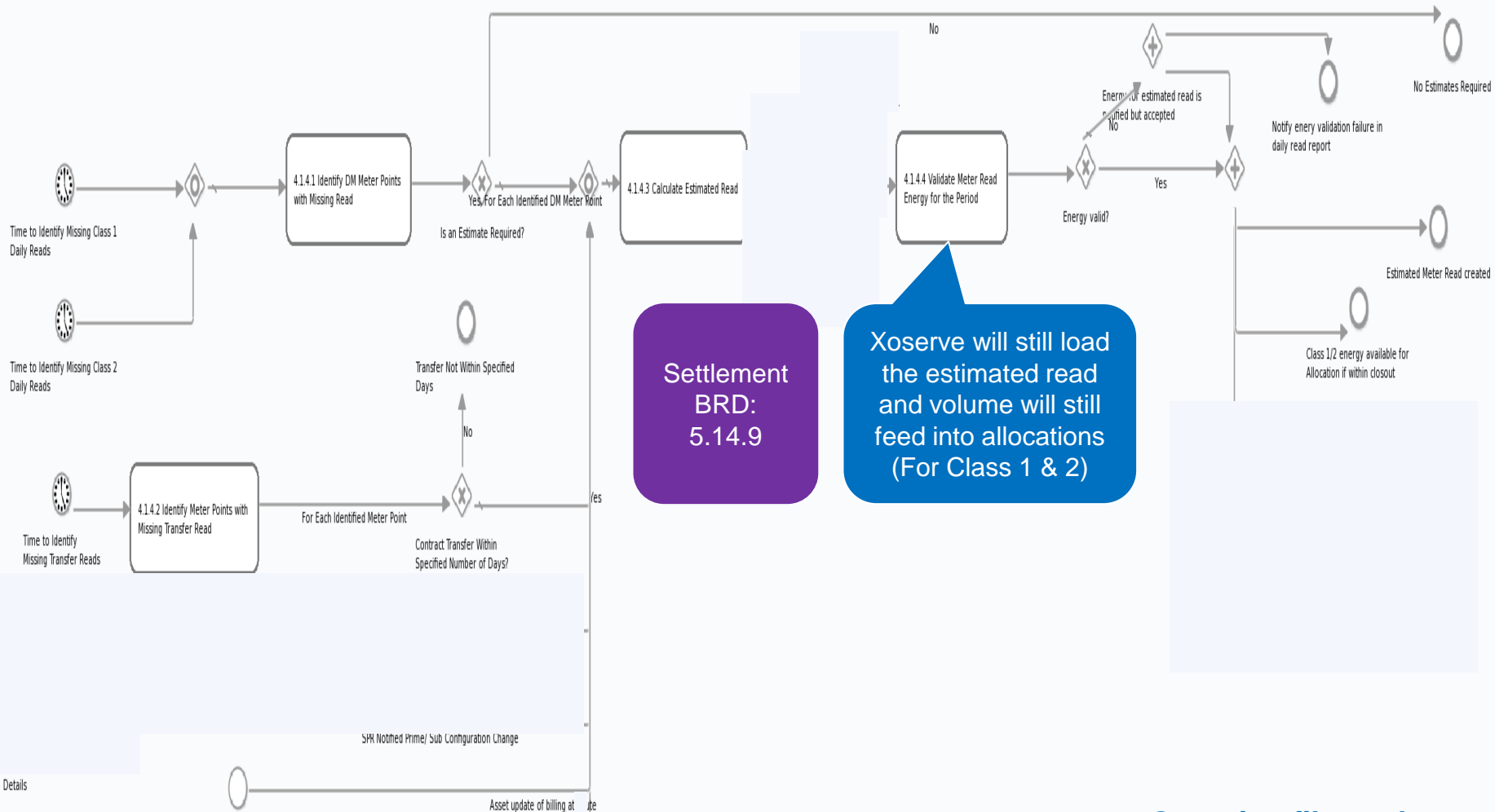
UMR – U01
Class 4 reads from Shipper

Reject Files

URS - S27

RGMA files also provide reads for Asset amendments

Estimate Required Missing Reads



Settlement BRD: 5.14.9

Xoserve will still load the estimated read and volume will still feed into allocations (For Class 1 & 2)

Outgoing files only

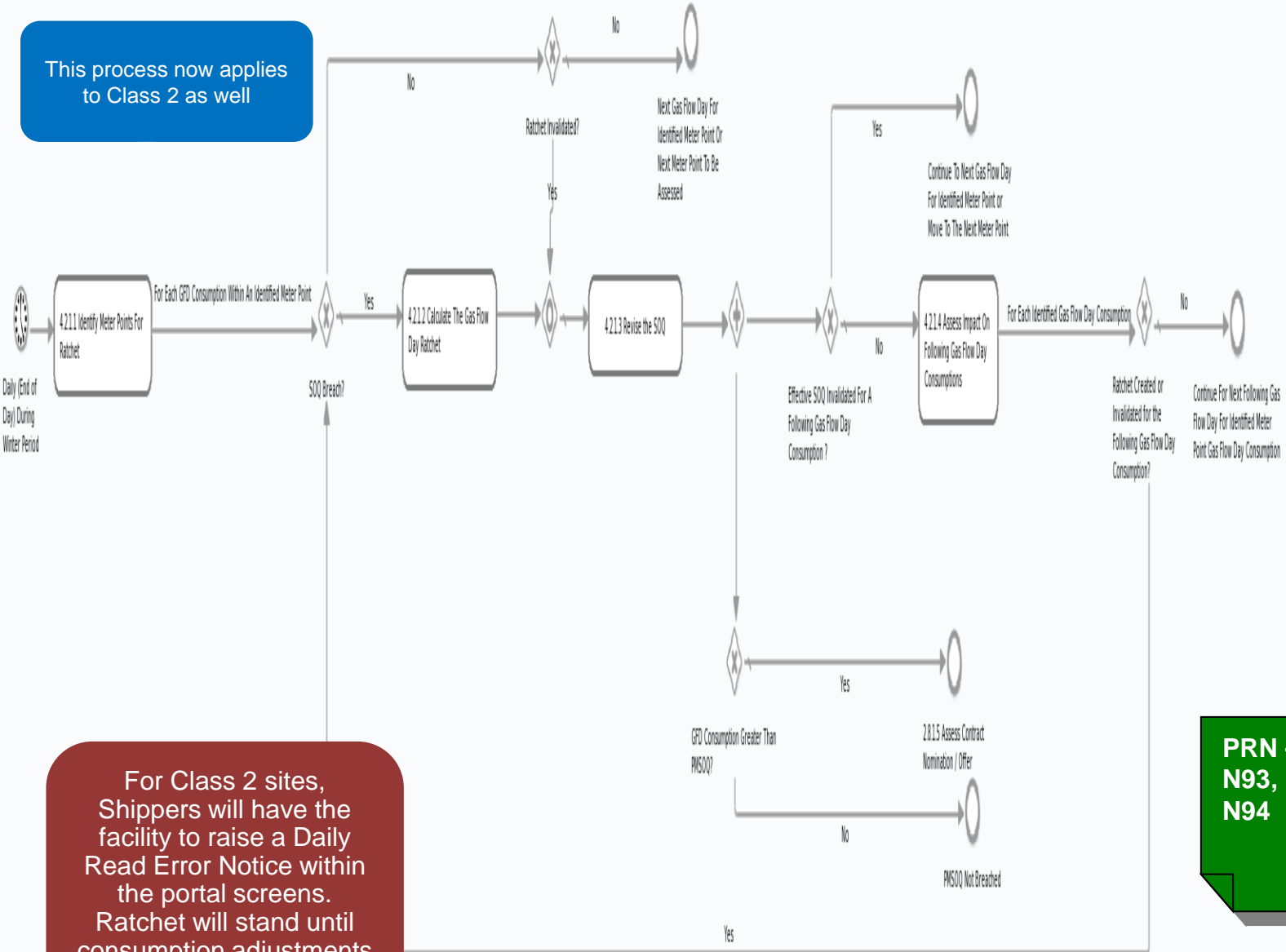
MDR – M00 Class 1 & 2 Reads

MBR - M03 Class 3 & 4 reads

Details

Details

This process now applies to Class 2 as well



BRD Ref: Settlement

For Class 2 sites, Shippers will have the facility to raise a Daily Read Error Notice within the portal screens. Ratchet will stand until consumption adjustments are processed.

PRN - N93, N94

RAT - M12, M15, S31

Derive Reconciliation Variances For New Consumption

BRD Ref:
Reconciliation

Rec Principles have
not changed but rec
will apply to all Supply
Meter Points.

I.E. No RbD

