

Business Requirements Definition

for

Project Nexus

submitted to

Project Nexus Workgroup Annual Quantity

| | |
|-----------------------------------|-----------------------|
| Author (for this version): | Xoserve |
| Version: | 4.20 |
| Date: | 2507/1005/2013 |

This document contains confidential or privileged information; it should not be copied or disclosed to any third party without the express permission of Xoserve Ltd. All rights reserved.

Copyright © 2011 Xoserve Ltd

Contents

| | | |
|------------|---------------------------------------------|-----------|
| 1. | Glossary | 3 |
| 2. | Document Purpose | 5 |
| 3. | Executive Summary | 6 |
| 4. | Benefits | 9 |
| 5. | Change Scope | 10 |
| 6. | Assumptions and Concerns | 11 |
| 7. | Overview of Business Processes | 14 |
| 8. | Business Requirements | 21 |
| 9. | Transitional Rules | 31 |
| 10. | Non-Functional Business Requirements | 32 |
| 11. | Document Control | 33 |

1. Glossary

| Term / Acronym | Definition |
|----------------------|------------------------------------------------------------------------------------------------------------------------------------------------------------------------------------|
| Annual Quantity (AQ) | Annual quantity of gas assumed to be offtaken over a period based on historical information |
| AQ Close-Out | The last Day on which Meter Readings or other information received by the Transporters will be considered for the purposes of the Monthly AQ Review. |
| AQ Effective Day | The Day on which the Notified AQ becomes effective. |
| BSSOQ | Bottom Stop SOQ |
| Calculated AQ | The AQ calculated as a result of a read being loaded |
| Consumption Period | The period in Days between the dates of the actual two Meter Readings available for use in the Monthly AQ Review calculations. |
| CSEP | Connected System Exit Point (iGT Supply Points) |
| Current AQ | The Annual Quantity registered at a Supply Meter Point prior to a change in the Annual Quantity made as a result of the Monthly AQ Review. |
| DECC | Department of Energy and Climate Change |
| DM | Daily Metered |
| End Meter Reading | The later Meter Reading, that is not more recent than the Information Close-Out Day, which determines the end of the Consumption Period. |
| EUC | End User Category |
| GFD | Gas Flow Day |
| GT | Gas Transporter |
| LSP | Larger Supply Points (AQ above 73,201 kWh) |
| Monthly AQ Review | The process conducted by the Transporters whereby, as a result of Meter Readings, the Annual Quantity of a Supply Meter Point is recalculated. |
| NDM | Non Daily Metered |
| Notification Day | The Day on which the Transporters notify the Registered Users of changes in the Annual Quantity. |
| Notified AQ | The Annual Quantity notified by the Transporters when a change of Annual Quantity of a Supply Meter Point is notified to the Registered User as a result of the Monthly AQ Review. |
| NTS | National Transmission System |
| Optimum Read | An ideal read within the required period to calculate an AQ |

| | |
|-------------------------------|--------------------------------------------------------------------------------------------------------------------------------------------------------------------------------------------------------------------------------------------------|
| Prime and Sub | Is a Sub-deduct Arrangement |
| RbD | Reconciliation by Difference |
| Read Validation Override Flag | The indicator set by the User on read submission to request that despite anticipating a Supply Meter Point would fail validation, the meter reading is correct. |
| Revised AQ | The new AQ calculated |
| SAP | System Average Price |
| SHQ | Supply Point Hourly Offtake |
| Site | Supply Meter Point level |
| SND date | Seasonal Normal Demand Review date (SND updates WAALP factors retrospectively for a 3 year period) |
| SOQ | Supply Point Daily Offtake |
| SSP | Smaller Supply Points (AQ = to or less than 73,200 kWh) |
| Start Meter Reading | The earlier Meter Reading that determines the start of the Consumption Period. |
| Sub-deduct Arrangement | An arrangement of pipes and meters, by which a part of the gas which is conveyed by a System to premises for the purposes of supply to those premises, is further conveyed to other premises for the purposes of supply to those other premises. |
| Valid Read | A meter reading which has passed all GT read validations as described in the 'Meter Read Submission and Processing and Settlement Arrangements BRD'. A valid read can also be the estimated transfer reading. |
| Validation Override Flag | Indicator set by the Shipper to request that despite anticipating a meter read would fail validation, the read is correct and should be accepted and used for other processes including to calculate the AQ. |
| WAALP factors | Winter Average Annual Load Profile |
| Winter Consumption | The consumption of a Supply Meter Point calculated from meter readings taken, over the period 01 December to 31 March, |
| Winter Annual Ratio (WAR) | The ratio of the Winter Consumption of a Supply Meter Point to its Annual Quantity. |

2. Document Purpose

The purpose of this document is to ensure that the business requirements associated with the referenced change have been accurately captured and to clearly specify these requirements to the Project Nexus AQ Workgroup and Project Nexus UNC Workgroup (PN UNC). Adequate information should be provided to enable the industry to approve the documented requirements for Cost benefit Analysis at a later stage.

The contents refer to the business scope of the change and provide descriptions of the business requirements and the relevant existing and future process maps.

2.1. Intended Audience

- Gas Shippers/Suppliers
- Gas Transporters (Large and Small)
- Xoserve
- Customer Representative

3. Executive Summary

3.1 Introduction to the change

This document defines the timescales and processes associated with the calculation of the Annual Quantity for gas meter points.

The document has been based on presentations and discussions at the Project Nexus AQ Workgroup and considering the high level principles agreed at the AQ Principle Workgroup in April 2010. .

All square brackets [] indicates values that can be parameterised for the purposes of the BRD although will require confirming for system design or system design or system development.

3.2 Implementation Timescales

Implementation of the developed solution will be confirmed once all requirements are captured following the Project Nexus Requirements Definition Phase.

3.3 Change Drivers and Business Goals

3.3.1 Drivers

The drivers detailed below are those identified by the AQ Workgroup for the derivation of the Annual Quantity (AQ);

- a. AQ to accurately reflect site consumption
- b. To utilise the reads obtained from remotely read meters in the calculation of the AQ
- c. To simplify the process wherever possible without affecting the accuracy of the AQ
- d. To systematise processes
- e. To smooth out workloads throughout the year
- f. Provide an incentive to Shippers to submit accurate and timely reads
- g. Provide transparency throughout the AQ review process and via industry reports

3.3.2 Business Goals

To develop a robust regime for the derivation of a site's annual consumption (AQ) that is utilised in downstream processes. The AQ to be as accurate as possible using the latest available historic meter reads.

3.4 Change Background

The changes have been identified as a result of Xoserve's Project Nexus consultation for the replacement of UKLink systems and following DECC's consultation on Smart metering and Supplier licence obligation for the installation of advanced meters.

The changes are also as a result of Modification 0209 which was allocated to the Project Nexus Workgroup in May 2009 and more recently Modification 0380 which is a replacement for Mod 0209.

3.4.1 Areas Identified in the Initial Requirements Register (IRR)

- Introduction of a rolling AQ is a core services required to ensure energy is accurately allocated
- Rolling AQ will reduce the risk to RbD shippers and their costs associated with reconciliation
- Increased energy consumption data should feed into an updated AQ rather than waiting for the annual review
- Rolling AQ being developed by Mod 0209 workgroup and should feature in Project Nexus
- Review of the SOQ for DM and NDM sites throughout the year as currently it can be up to 12 months out of date

3.4.2 Business process Issues raised during the Workgroups

- Changes in consumption are not immediately reflected in the AQ
- Current AQ is based on historic consumption data, the AQ does not accurately reflect current consumption
- Unable to appeal SSP AQs
- Manually labour intensive during the summer months for all parties
- Impacts on other processes during the processing and updating of the AQ
- Current process does not provide an incentive to submit reads more frequently

3.4.3 UNC and Licence Impacts

- UNC Section G1.6
- UNC Section H3

3.4.4 UNC Process Impacts

- Annual AQ Review

3.4.5 Interaction with Project Nexus High Level Principles

In April 2010 the following high level principles for an AQ review were agreed at the Project Nexus Principle Workgroup;

- Preference for a 'No AQ' regime. This regime is only possible where daily allocations are performed based on actual reads.
- However, it was recognised that an AQ will continue to be required for UNC processes, industry processes and licence obligations. GTs would also require an AQ for network operations.
- Transitional arrangements in a 'No AQ' regime would use a 'Rolling AQ' principle.
- 'Rolling AQ' was the preferred option where allocations were not performed daily using actual reads.
- Fallback position was an improved Annual AQ review.

3.5 Related Documents

| Document Title | Location |
|----------------------------------------------------------------------|----------------------|
| Modification 0209: Rolling AQ | Joint Office Website |
| Modification 0380: Periodic AQ Calculation | Joint Office Website |
| AQ Principles Workgroup Report (19/05/2010) | Joint Office Website |
| Meter Read Submission and Processing and Settlement Arrangements BRD | Joint Office Website |
| PN UNC Workgroups | Joint Office Website |

4. Benefits

4.1 Industry Benefits

The following benefits will need to be aligned with the Transporter relevant objectives;

- 4.1.1 Site AQ will more accurately reflect site consumption
- 4.1.2 Utilising the reads received from remotely read meters
- 4.1.3 More accurate allocations
- 4.1.4 Simplified Shipper and GT processes
- 4.1.5 Reduction in manual intervention due to systematised approach
- 4.1.6 Spread out workload
- 4.1.7 Incentivise more frequent read submission
- 4.1.8 Greater User confidence in the AQ calculation regime

5. Change Scope

5.1 In Scope

5.1.1 Function:

- a. Calculation of a site's AQ
- b. Timing of the calculation
- c. Validation of the AQ
- d. Submission of the AQ to Shippers
- e. Challenges to the AQ
- f. Updating the AQ
- g. SOQ, SHQ and BSSOQ calculation and timing of the calculation

5.1.2 Market Sector:

- a. All directly connected gas meter points
- b. Daily Metered CSEP sites
- c. NTS sites
- d. Prime and Sub sites
- e. NDM CSEPs (aspiration for all iGT sites to be treated the same as directly connected sites)

5.2 Out of Scope

5.2.1 Function:

- a. Any process not described above as In Scope

5.2.2 Market Sector:

Detailed Requirements Analysis

6. Assumptions and Concerns

6.1 Assumptions

- 6.1.1 The business rules will need to be appropriate for dumb metered sites as well as remotely read sites
- 6.1.2 The processes described in the Settlement Workgroups are approved
- 6.1.3 The proposed validations carried out by the GT at read receipt will ensure that any significant erroneous reads are rejected and not used for AQ calculation.
- 6.1.4 Only the latest replaced valid read at the time the AQ is calculated will be used.
- 6.1.5 Ratchets will continue as an incentive regime where Shippers nominate the SOQ and SHQ.
- 6.1.6 There will not be a requirement to retrospectively update the AQ.
- 6.1.7 If 'Monthly Rolling AQ Review' is implemented prior to the 4 processes determined in the Settlement Workgroup, the current UNC read limits would continue to apply.
- 6.1.8 An AQ will not be calculated if the validations on the read have failed due to asset data
- 6.1.9 Estimated reads will not be ~~used~~[considered to trigger an AQ calculation except estimated transfer reads.](#)
- 6.1.10 Sub deduct arrangements will continue and the Prime and Sub-deduct meter(s) will continue to have an AQ for each meter (currently the AQ for the Sub-deduct meter is deducted after calculating the Prime meter AQ).
- 6.1.11 AQ process during a 'Leap Year' will be treated the same as the current arrangements, i.e. calculate 365+1 daily consumptions.
- 6.1.12 Threshold Crosser adjustments, Mod 0640, will not be required where rolling AQ is implemented with or after individual Meter Point Reconciliation. If the business rules described in this document are implemented before Meter Point Reconciliation Mod 0640 adjustments may need to continue (see Section 9) until Meter Point Rec is implemented.
- 6.1.13 Where an AQ is calculated the GT will not perform validation on the AQ before submission to the Shipper as meter reads will be validated by the GT on receipt of the read, this is described in the 'Meter Read Submission and Processing and Settlement Arrangements BRD'.
- 6.1.14 Where an AQ is calculated from a read subsequently identified as incorrect, the Shipper can submit a new read within the timescales described under Section 8.2 and a new AQ will be calculated and be effective, subject to validation, for the 1st of the following month.

- 6.1.15 There will not be a retrospective adjustment to energy or transportation charges where the AQ calculated is later found to be calculated based on incorrect reads.
- 6.1.16 The existing arrangements will apply for the application and calculation of the BSSOQ annually.
- 6.1.17 BSSOQ will only apply to Product 1 and Product 2 sites.
- 6.1.18 It is unlikely that the 'Spec Calc' will be required in a 'Rolling AQ' regime, however, this assumption will need to be re-assessed by the industry once the detailed business rules have been approved.
- 6.1.19 Only validated meter reads, as described in the 'Meter Read Submission and Processing and Settlement Arrangements BRD' will be used for AQ calculation (options on how this will work for the transitional period will be considered further under Section 9).
- 6.1.20 The existing methodology for calculating the AQ will continue unless specified under Section 8 of this document.

6.2 Dependencies

- 6.2.1 The processes described within the Settlement Workgroup are unchanged.
- 6.2.2 The GT read validations described under the 'Meter Read Submission and Processing and Settlement Arrangements BRD' would need to be implemented before the rules described in this document are implemented.
- 6.2.3 Approval of the requirements by PN UNC
- 6.2.4 Approval by Ofgem following the appropriate UNC Modification process.

6.3 Risks & Issues

- 6.3.1 Not all Shippers/Suppliers attend the workgroups or are represented therefore there may be opposition to any potential Modifications raised.
- 6.3.2 If the monthly AQ regime were to be implemented before the read validations described under the Settlement regime, interim/transitional arrangements may need to be applied to ensure erroneous AQs are not implemented as a result of an invalid read being loaded.
- 6.3.3 Impacts on allocation will continue if the AQ is not calculated due to incorrect asset data held on the Supply Point Register as a new AQ will not be calculated.
- 6.3.4 Efficient AQ calculation is dependent on improved Shipper Meter Reading performance and increased frequency of read submission: if the significant roll-out of remote reading equipment does not occur (or is delayed) then there is a risk that read performance will not improve and that AQs will not be recalculated regularly.

6.4 Constraints

6.4.1 None identified.

6.5 Design Considerations

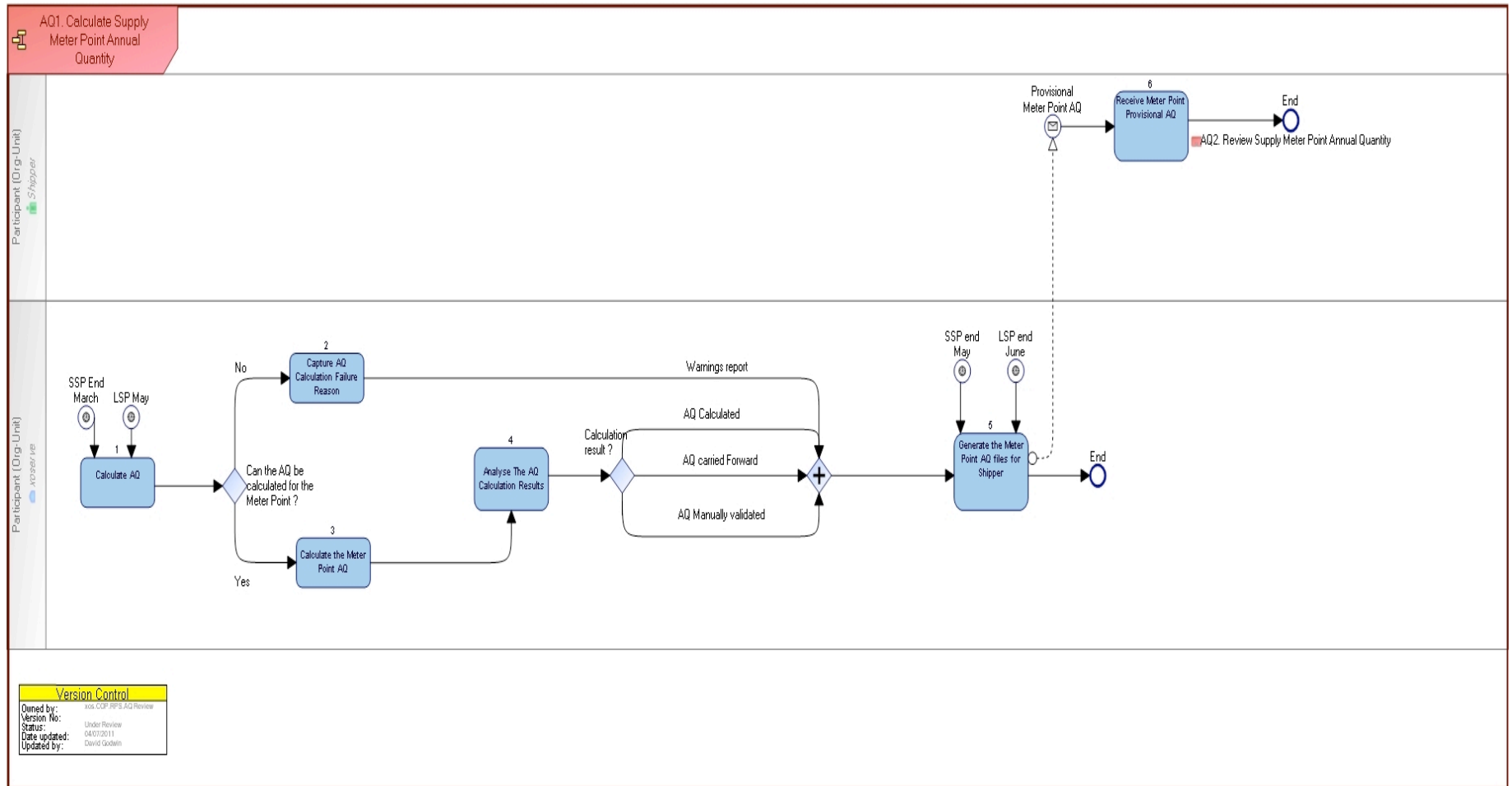
6.5.1 Values for start and end dates, durations, bands (lower & upper) etc. must be parameterised.

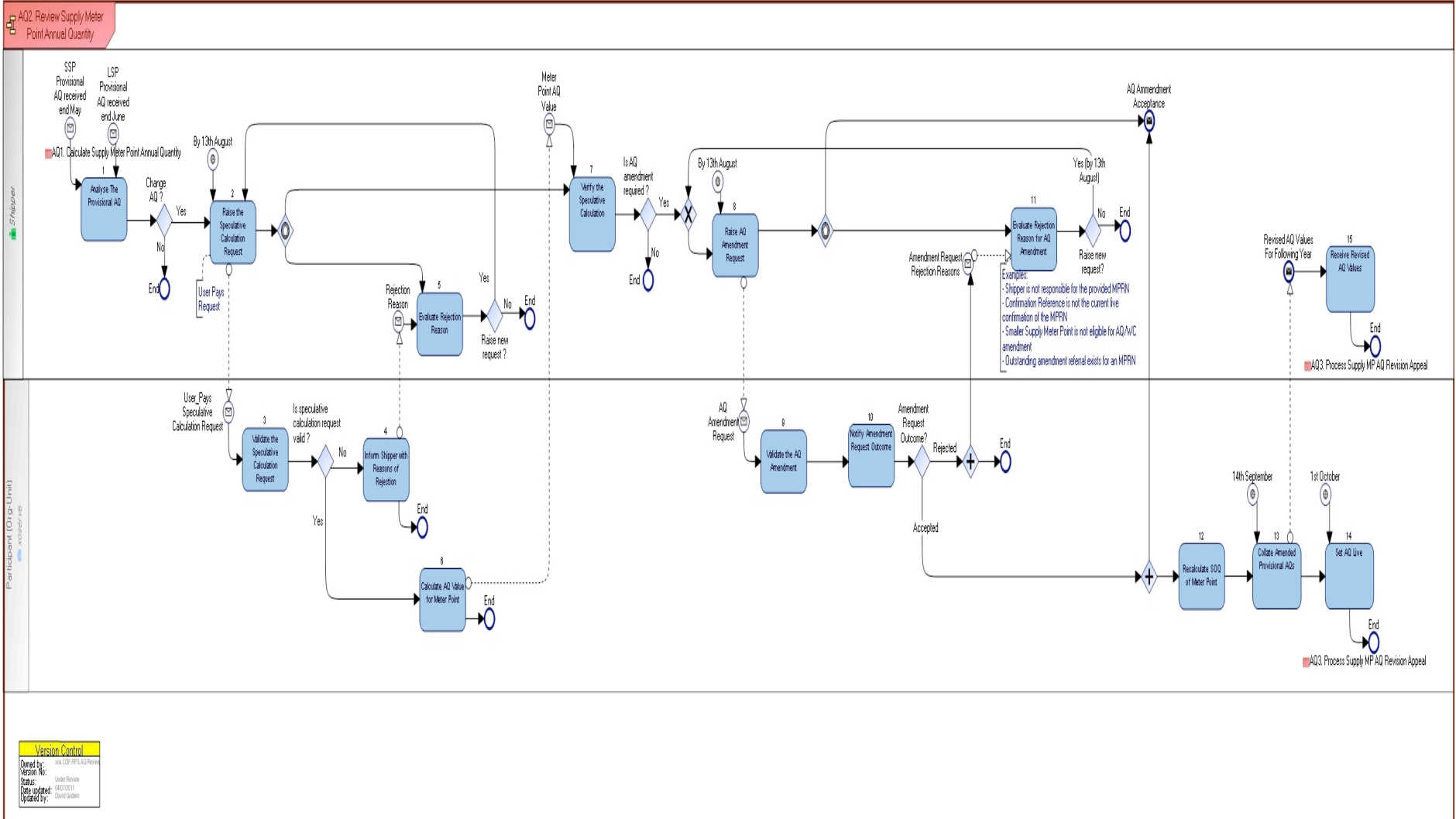
6.6 Concerns

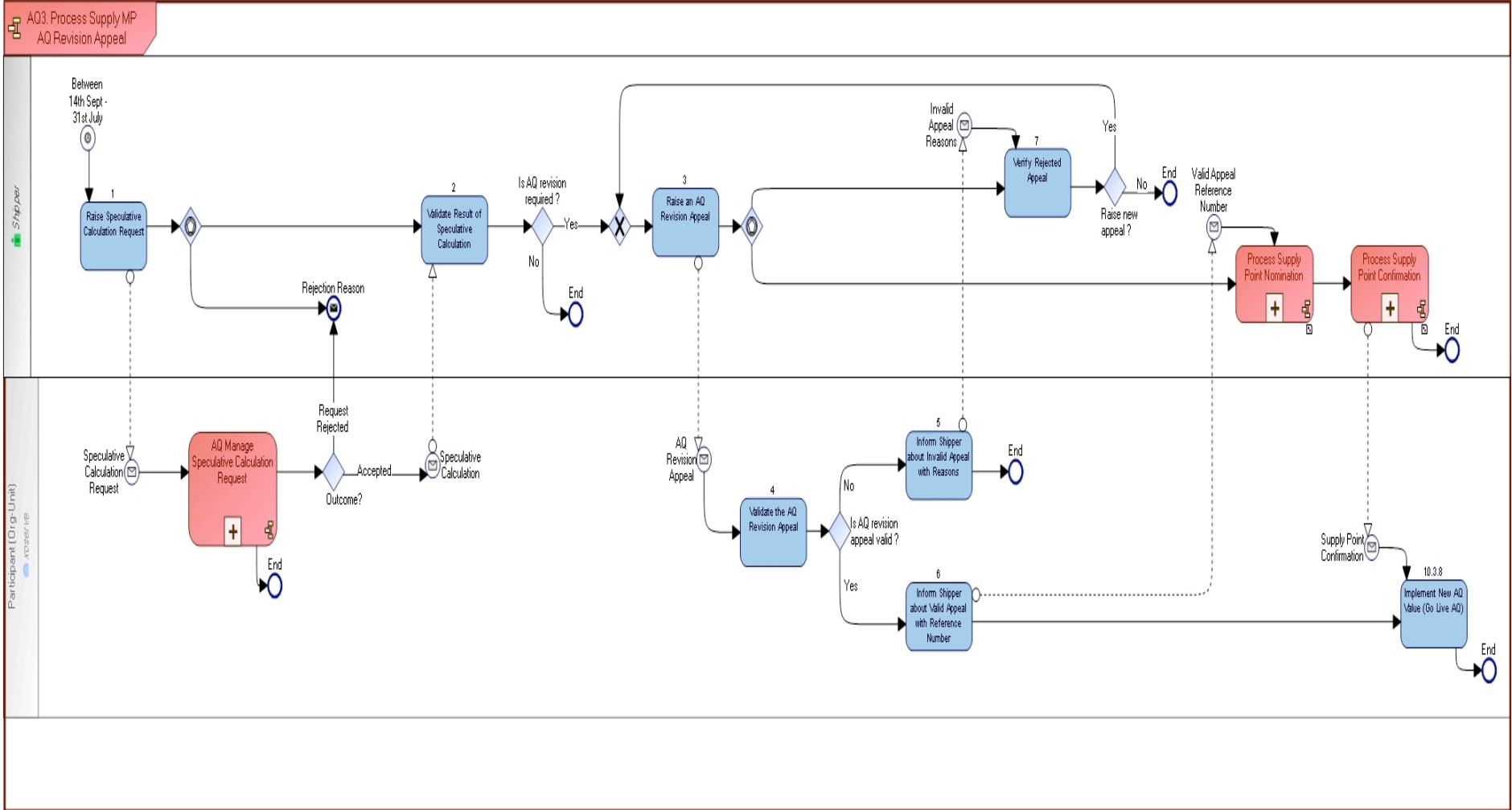
6.6.1 Ofgem have raised concerns regarding the submission of estimates by Shippers as this can provide an opportunity for gaming, for example by submitting over or understated estimated reads depending on the SAP rates. However, it was agreed by the Workgroup that all estimated reads will be calculated using a standard methodology. Update from 7th February 2012 PNUNC; Estimated reads will not be used for AQ calculation.

7. Overview of Business Processes

7.1 Current Processes and Process Maps

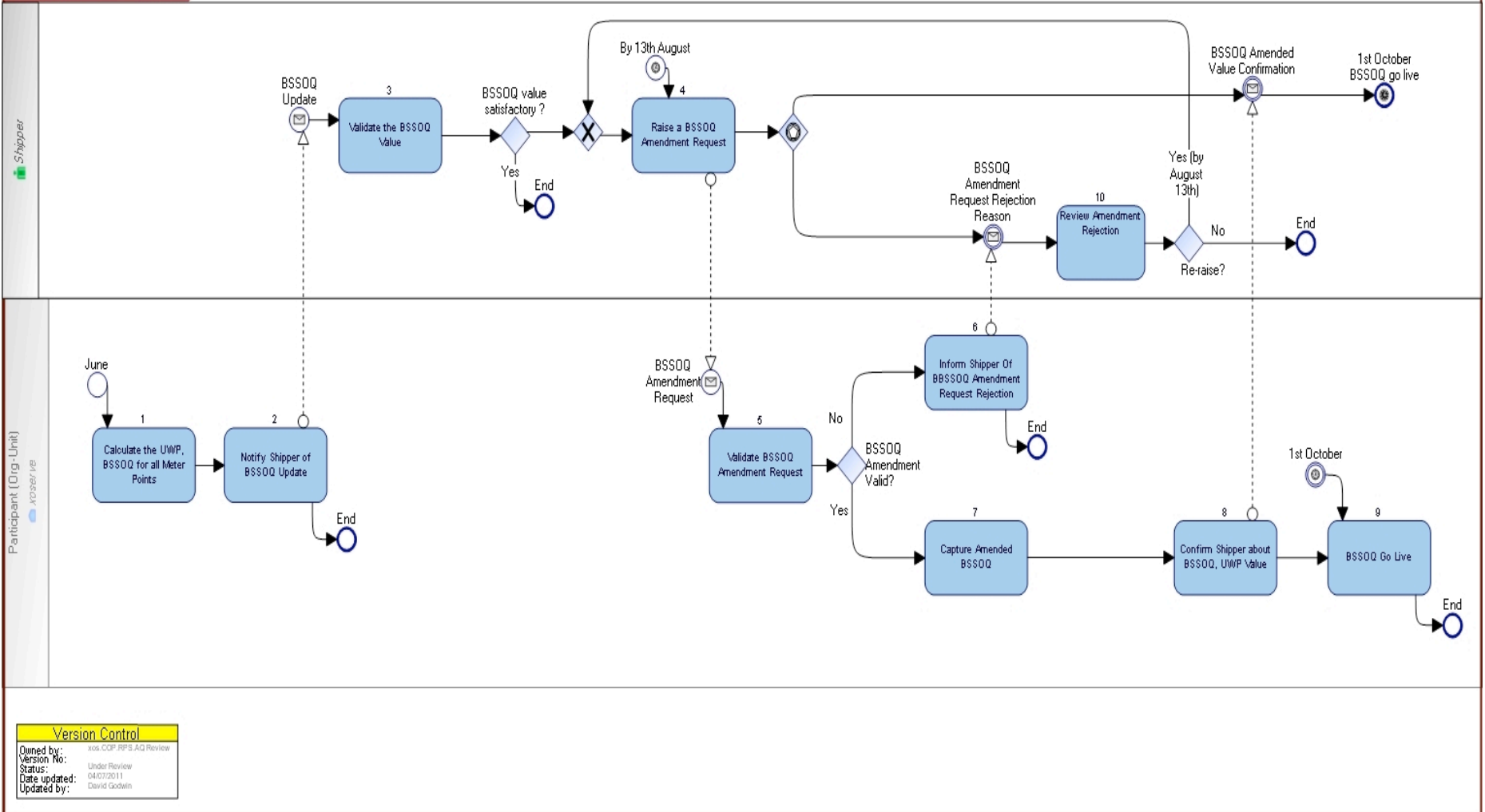




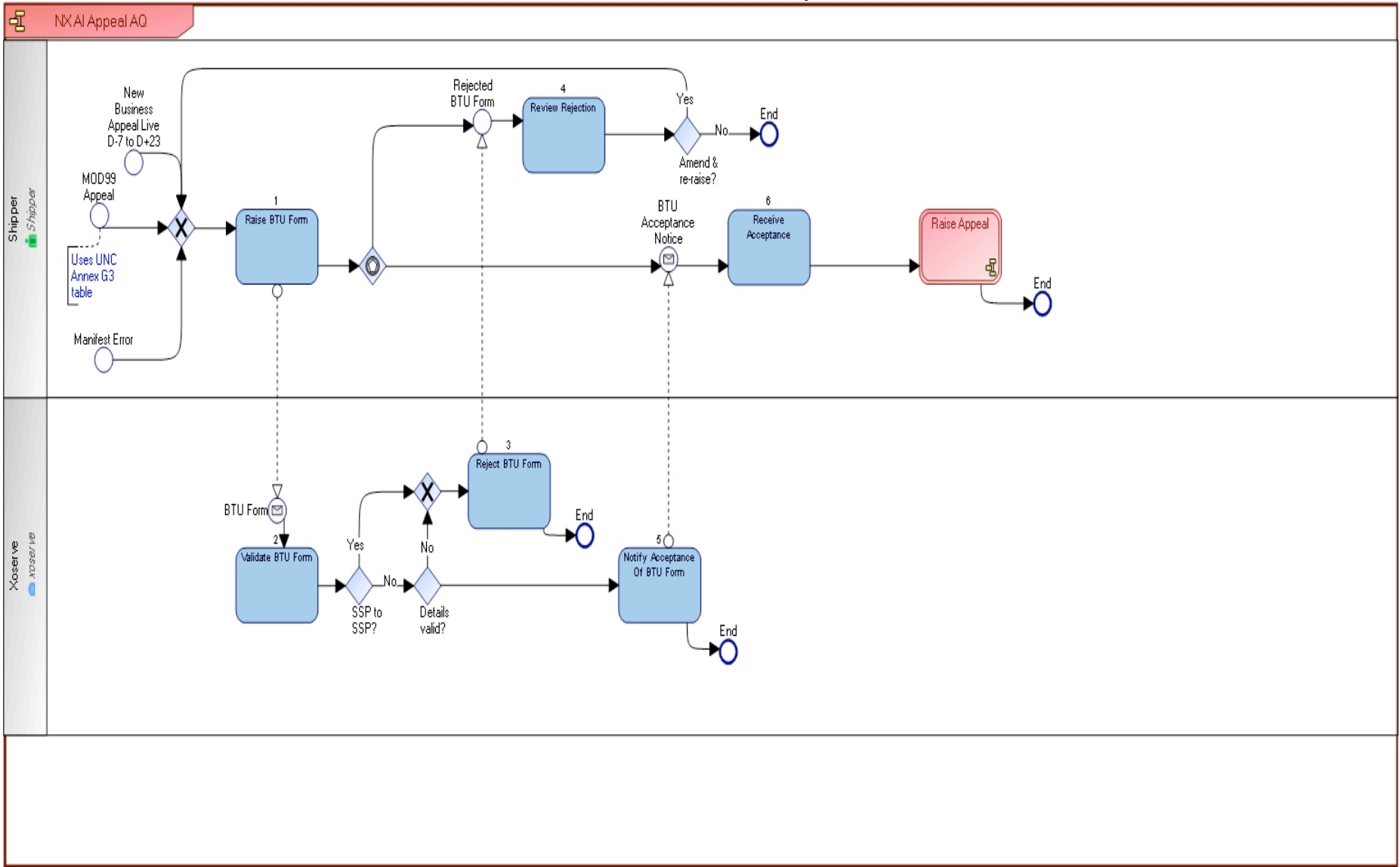


| Version Control | |
|-----------------|------------------------|
| Owned by: | xxxx.CDP.RPS.AQ.Review |
| Version No: | |
| Status: | Under Review |
| Date updated: | 30/06/2011 |
| Updated by: | David Gowen |

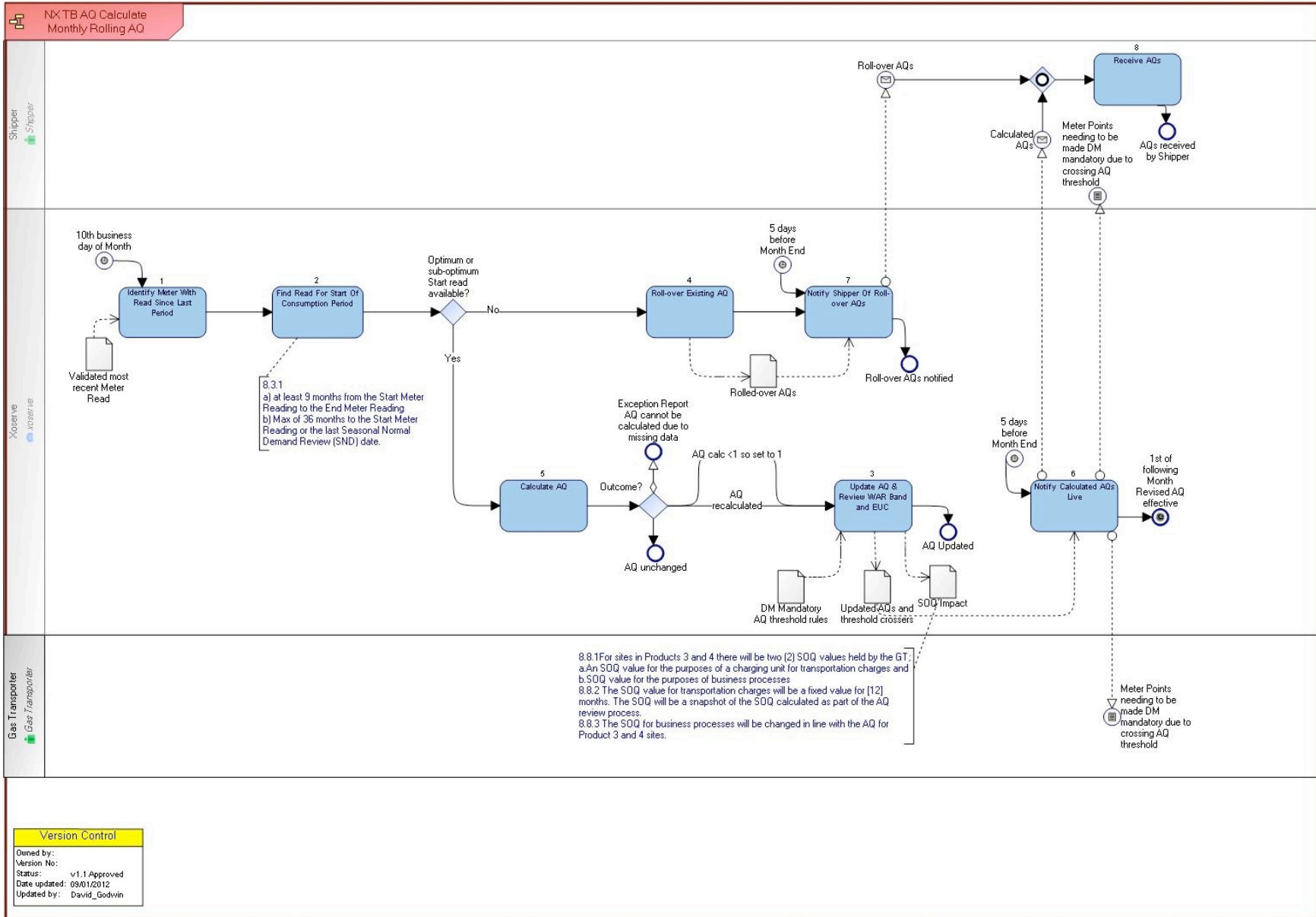
AQ4. Review Supply Meter Point BSSOQ, UWP

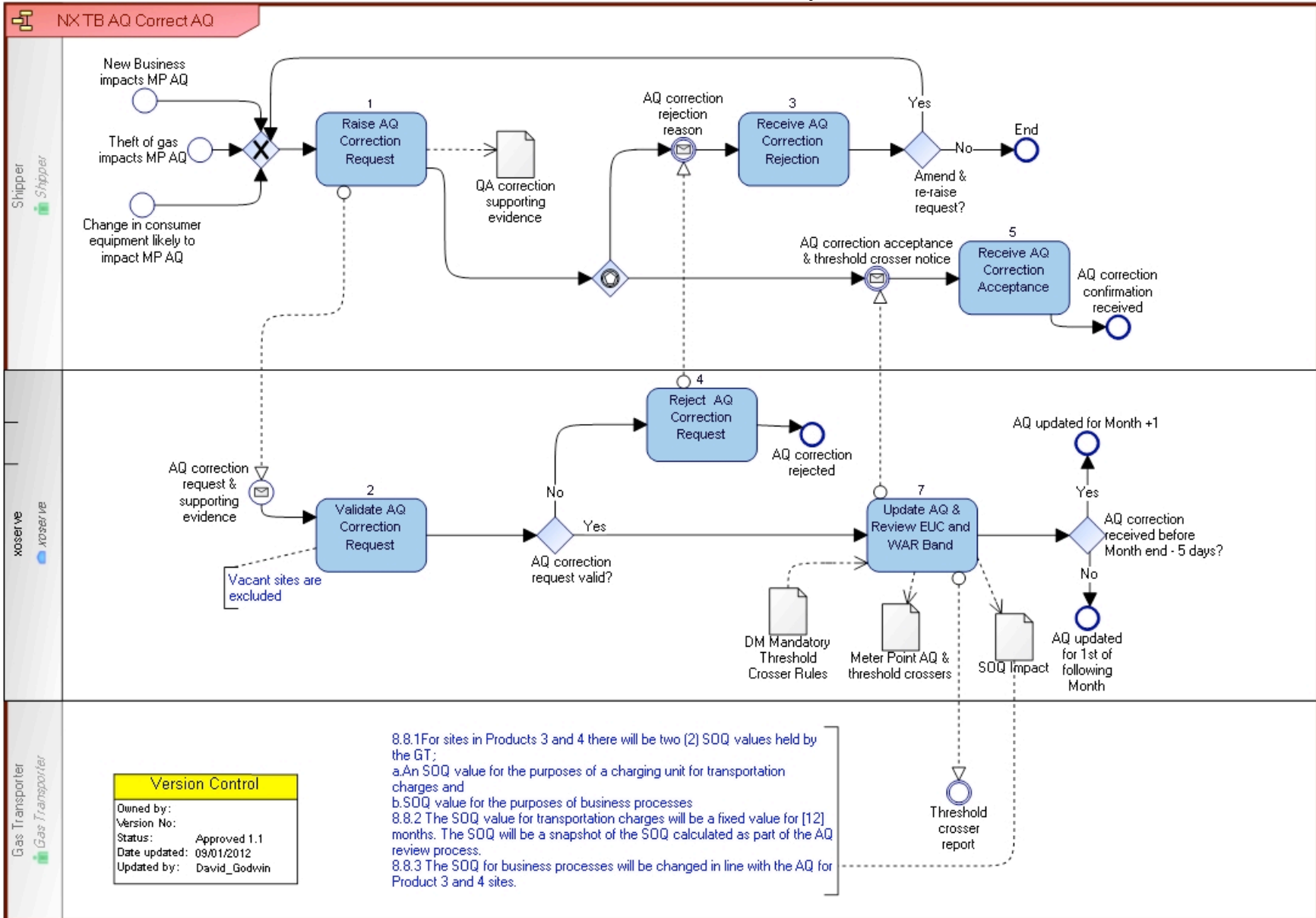


| Version Control | |
|-----------------|------------------------|
| Owned by: | xos.COP.RP.S.AQ Review |
| Version No: | Under Review |
| Status: | 04/07/2011 |
| Date updated: | David Godwin |
| Updated by: | |



7.2 To-Be Processes and Process Maps





8. Business Requirements

Throughout this section reference is made to four new processes designed in the Project Nexus Settlement Workgroup for the submission and processing of meter readings and settlement arrangements. These four future state processes are summarised below;

- Product 1, 'Daily Metered Time Critical'
 - Service for DM Mandatory sites only
 - Daily reads obtained and submitted by the DMSP daily before 11~~0~~.00 am on GFD+1.
 - The reads are issued to the Shipper.
 - The latest valid read loaded by GFD+5 will be used for allocation and energy balancing purposes.

- Product 2, 'Daily Metered Not Time Critical'
 - Daily reads obtained and submitted to the GT daily.
 - If the reads are submitted before 11~~0~~.00 am they will be used for allocation purposes otherwise a read must be received before end of the GFD+1.
 - Actual reads to be submitted by the Shipper
 - The latest valid read loaded by GFD+5 will be used for final allocation and energy balancing purposes.

- Product 3, 'Batched Daily Readings'
 - Daily readings are obtained for each day but are not submitted daily
 - The daily reads are received in batches to a pre-notified frequency
 - Actual reads will be submitted within the batch by the Shipper.
 - Reconciliation will be carried out based on the valid daily reads received
 - Allocation and energy balancing is based on allocation profiles and AQ

- Product 4; 'Periodic Readings'
 - An actual meter reading is submitted periodically.
 - Allocation and energy balancing is based on allocation profiles and AQ
 - Reconciliation is carried out using the methodology determined within the Reconciliation Workgroup

Figure 1 provides a summary of the AQ processes by Settlement Product;

Figure 1: Summary of the 4 meter reading processes and related AQ processes

| Process Description | Read Used for Allocation | Read used for Energy Balancing | Shipper Read Submission | Timing of AQ calculation | Reads used for AQ calculation | Read Type used for the AQ calculation | SOQ Calculation | Reconciliation |
|-----------------------------------------------------|--------------------------|--------------------------------|---------------------------------------|--------------------------|--------------------------------------------------------|---------------------------------------|-------------------|---------------------------------------------------------------|
| Product 1: Daily Metered Time Critical Readings | Daily Read | Daily Read | Daily by 11 ⁰⁰ am on GFD+1 | Monthly | 2 reads a minimum of 9 months & max of 36 months apart | Actual read | Shipper Nominates | Meter Point level following a re-synch or estimate |
| Product 2: Daily Metered not Time Critical Readings | GT Estimate | Daily Read | Daily by end of GFD+1 | Monthly | 2 reads a minimum of 9 months & max of 36 months apart | Actual read | Shipper Nominates | Meter Point level following a re-synch or estimate |
| Product 3: Batched Daily Readings | Allocation Profiles | Allocation Profiles | Daily Reads in Batches | Monthly | 2 reads a minimum of 9 months & max of 36 months apart | Actual read | GT Derives | Daily Rec at Meter Point level on receipt of a batch of reads |
| Product 4: Periodic Readings | Allocation Profiles | Allocation Profiles | Periodically | Monthly | 2 reads a minimum of 9 months & max of 36 months apart | Actual read | GT Derives | Meter Point level at receipt of read |

8.1 Meter Reads

8.1.1 All valid actual meter readings will be considered for use in the AQ review, including the transfer read. If the read has been loaded it is deemed as valid for the purposes of the Monthly AQ Calculation. For clarification the read types that will be considered for AQ review are;

- Cyclic Read
- Transfer Read including a Shipper Agreed Read
- Check Read
- Must Read
- Meter removal reading

8.1.2 For Product 1 & 2: only 'Closed Out' reads (after GFD+5) will be considered for AQ calculation.

8.1.3 For Product 1, 2 & 3: The latest valid read loaded at AQ Close Out will be used to trigger the AQ calculation.

8.1.4 For Product 4: Identify Meter Reads that have been validated since the last valid read used to calculate the AQ for the associated Meter Point. This could be triggered more than once during the period since the last review if more than one read has been loaded. The latest valid read loaded at AQ Close Out will be used to trigger the AQ calculation.

8.2 Monthly Process

8.2.1 The AQ review will take place monthly for all sites where a valid read has been loaded. On the ~~10th~~ **business** day of the month, 'AQ Close Out', the latest valid read loaded will be considered for the AQ calculation.

Note: If during analysis the 10th business day can be extended this would be an aspiration from Shippers to increase the time to submit a read for use in the AQ review.

8.2.2 Where a read has not been loaded since the last AQ review the current AQ will continue until a valid read is loaded.

8.2.3 The AQ calculation will use the latest valid actual read (as per 8.1) to determine the End Meter Reading and a valid Start Meter Reading obtained from a minimum period of 9 calendar months previous and a maximum period of 36 months.

- 8.2.4 Where a read has been replaced, the latest replaced read will be used for the calculation of the AQ.
- 8.2.5 The Registered Shipper and any Proposing Shipper with a Confirmation status of 'Requested', 'Confirmed' or 'Live' will be notified of the revised AQ no later than ~~5~~ business days prior to the end of the month (Notification Day).
- Note: this could be more than once for Product 4
- 8.2.6 The Revised AQ will become effective on the 1st day of the month following the AQ Notification Day.

8.3 Consumption Periods

- 8.3.1 For all Products the AQ will be calculated using a consumption period of;
- At least 9 months from the Start Meter Reading to the End Meter Reading
 - Maximum of 36 months to the Start Meter Reading or last Seasonal Normal Demand Review (SND) date (SND updates WAALP factors retrospectively for a 3 year period. WAALP factors are used to calculate AQ).
- 8.3.2 For all Products, the optimum consumption period from the Start Meter Reading and End Meter Readings available is a consumption period closest to 365 days
- 8.3.3 If an 'Optimum Read' as per 8.3.2 is not available the system will;
- Obtain a valid read for a more recent date upto a minimum of 9 months if no read available
 - Obtain a valid read for an older date upto a maximum of 36 months,
- 8.3.4 If the Meter Point has been 'Isolated' during the Consumption Period and the Start and End Meter readings are equal to or greater than 9 months, an AQ will be calculated. An AQ will not be calculated if the consumption period is less than 9 months ~~where the Meter Point has been~~ after deducting the isolated period during the Consumption Period.
- 8.3.5 For clarity, for new MPRN's, a revised AQ will not be calculated until 9 months consumption history is available.
- 8.3.6 Where none of the conditions set out in 8.3.1 to 8.3.4 can be satisfied a Revised AQ will not be calculated and the Current AQ will continue to apply.

8.4 Validation

- 8.4.1 An AQ will not be calculated for the reasons described under Section 8.4.4.
- 8.4.2 Where the calculated AQ is less than 1 kWh the new AQ will equal 1 kWh.

- 8.4.3 Where the Calculated AQ is the same as the current AQ the Calculated AQ will be the Revised AQ.
- 8.4.4 A Revised AQ will not be calculated for the following reasons. Where an AQ is not calculated, the current AQ will apply and the Shipper will be advised;
- a. A more recent End Meter Reading is not available than that used previously to successfully determine the Notified AQ;
 - b. From the meter readings available, a Consumption Period of greater than 9 months can not be established.
 - c. From the meter readings available, a Consumption Period of less than or equal to three years can not be established.
 - d. Insufficient data to calculate an AQ (e.g. new Supply Meter Point)

Note: Further validations may be identified during the detailed analysis of the requirements.

- 8.4.5 There will not be any validations on the AQ against the SOQ for Products 1 and 2 sites.

8.5 Read Validation Override Flag

Note: The following business rules are detailed in the 'Meter Read Submission and Processing and Settlement Arrangements BRD' but have been summarised here for information purposes.

- On the read submission communication a field will be included for the Shipper to notify and warrant to the GT that the read for the MPRN will fail the read tolerance checks but confirms that the read is correct, has been validated and should be accepted and processed by the GT. Note this warrant will not allow a read to pass through the "market breaker" validation.
- The Validation Override Flag is a request by the Shipper for the GT to bypass the read tolerance checks only.
- Checks will continue to be carried out on the asset data and where the standing data provided by the Shipper on the read communication does not match the data held on the Supply Point Register (as per existing validations) the read will be rejected and not used for AQ calculation.

8.6 AQ Correction

- 8.6.1 This is an exception process to amend the AQ in certain circumstances. This process is not to be used for 'normal' AQ increases or decreases whereby the submission of reads will update the AQ over time. This process can only be used for the following reasons:
 - a. on the basis of substantial evidence that available reads do not represent actual consumption of gas (e.g. new business, confirmed theft of gas)
 - b. because of a change in the consumer's equipment which results in an expected change in gas consumption
 - c. for the avoidance of doubt, [and for the purposes of confirming workgroup discussions](#), vacant sites are excluded from this exceptions process.
- 8.6.2 Checks will be carried out to ensure the conditions described under 8.6.1 have been complied with, those that fail will be rejected and the Shipper notified.
- 8.6.3 An AQ Correction can be raised at any time during the year and for any site subject to 8.6.1.
- 8.6.4 The Shipper notifies the GT of the revised AQ (Shippers reasonable estimate of the site's AQ), a pair of actual meter readings (if available) and the reason for the change in AQ.
- 8.6.5 GT will consider the information and notify the Shipper within [2] business days of the outcome of the consideration.
- 8.6.6 Where the AQ Correction request is valid, the AQ will be included in the monthly process timescales described under Section 8.2 (Note: a valid read will not have been loaded to trigger the AQ review therefore this may require the GT to load a read in order for the Meter Point to be included in the monthly AQ review.
- 8.6.7 A successful AQ Correction request will create a 'back-stop' date so any future AQ calculations will not use consumptions prior to the AQ Correction.
- 8.6.8 The Shipper will record and retain all evidence in support of the AQ Correction request and provide it to the GT when requesting a change.
- 8.6.9 Any rejected requests will be notified to the Shipper together with the reasons for rejection and the Current AQ will apply.
- 8.6.10 The Current AQ will continue to apply until the AQ Correction has been accepted as valid by the GT and the new AQ is effective.
- 8.6.11 If the GT receives further Meter Readings that better meet the criteria set out in Section 8.3 than those submitted by the Shipper, the Notified AQ will be calculated from these Meter Readings.

8.7 DM Mandatory Threshold

- 8.7.1 Where the Revised AQ of a Meter Point is greater than 58,600,000 kWh for 3 consecutive calculations of the AQ or for 3 calculations in the preceding 18~~[6]~~ month period, but is not already classified as a DM Mandatory site and within Product 1, the Daily Read Requirement will apply ~~with effect from [6] months after the Effective date when the AQ first reached the DM Mandatory threshold.~~
- 8.7.2 Notification that an AQ has reached the DM Mandatory threshold will be issued to the Shipper and the relevant GT notifying of the Revised AQ.

8.8 Supply Point Offtake Quantity (SOQ) & AQ for Transportation Charging Purposes

- 8.8.1 For sites in Products 3 and 4 there will be two (2) AQ and SOQ values held by the GT;
 - a. An AQ and SOQ value for the purposes of a charging unit for transportation charges and
 - b. An AQ and SOQ value for the purposes of business processes
- 8.8.2 The AQ and SOQ value for transportation charges will be a fixed value for [12] months. The values will be a snapshot of the AQ & SOQ calculated as part of the AQ review process.

Note: The AQ derives the charging band, the SOQ derives the rate.

Note: The date the snapshot the SOQ will be taken and the effective date of the SOQ is yet to be determined by DNCFM Workgroup. Both these dates and the period for which the SOQ will be fixed must be parameterised values.

- 8.8.3 The SOQ for business processes will be changed in line with the AQ for Product 3 and 4 sites.
- 8.8.4 The Shipper will continue to nominate the SOQ and SHQ for Product 1 and 2 sites only.

8.9 WAR Bands and EUCs

- 8.9.1 The WAR bands and applicable EUCs will be updated in line with the AQ.
- 8.9.2 The AQ will reflect any Meter Point cross-over in WAR bands from the 1st day of the month following the AQ Notification day.

8.10 Prime and Sub-deduct Meters

- 8.10.1 Except for the requirement described under Section 8.10.3, the existing arrangements for Sub-deduct Arrangements will continue to apply as per UNC G1.8.
- 8.10.2 The requirement to obtain meter readings within a 5 day window will continue to apply as per UNC G1.8.4 for all Prime and Sub-deduct meters in the same configuration.
- 8.10.3 Except for Prime or Sub-deduct meters which meet the DM Mandatory threshold, all Prime and Sub-deduct meters in the same configuration shall be processed under the same 'Product' (as per the 'Meter Read Submission and Processing and Settlement Arrangements BRD') and have the same Meter Reading Frequency.

8.11 Other Parameter Changes

- 8.11.1 Following a revision to the Seasonal Normal Composite Weather Variables, the AQ and SOQs will be revised at the first Notification Day following the update in Weighted Average Annual Load Profile.

8.12 AQ Communication

- 8.12.1 A notification will be issued to the Shipper of all Revised AQs. The communication will include;

- MPRN
- Existing AQ
- Existing SOQ & SHQ
- Existing EUC & EUC Description*
- Existing WAR band*
- Revised AQ
- Revised SOQ and SHQ*
- Revised EUC & EUC Description*
- Revised WAR Band*
- Effective date
- Start Meter Reading & Date
- End Meter Reading & Date
- Prorated Winter Consumption* (Prorated WC over the optimum winter period, potentially used to derive EUC)
- Percentage AQ Change
- BSSOQ *

- 8.12.2 A notification will be issued to the Shipper of all AQs that have not been calculated although a valid read was loaded. The communication will include;

- MPRN
- Reason why a revised AQ was not calculated
- Existing AQ value rolled over
- Existing SOQ and SHQ rolled over*
- Existing EUC & EUC Description*
- Existing WAR band*
- Start Meter Reading & Date
- End Meter Reading & Date
- Prorated Winter Consumption * (Prorated WC over the optimum winter period, potentially used to derive EUC)
- Rejected BSSOQ *

8.12.3 The above notifications will be issued separately.

* value will only be populated where applicable

8.12.4 GTs will be issued with monthly reports detailing a summary of AQ and SOQ changes.

8.12.5 Notifications to also be issued to the current and prospective Shippers when the 'Billing AQ and SOQ have changed.

8.13 Publication of Information

8.13.1 Both the current and prospective AQ to be made visible to Shippers (currently via Data Enquiry service)

8.13.2 The data items listed under 8.13.3 are likely to be required for industry reporting.

Note: This is not a complete list, the reports will be defined once existing Modifications around AQ reporting are completed which will provide the Workgroup with reporting principles and the scope of the reports based on decisions made within the Modification Workgroups.

8.13.3 Data items required for industry reports include, but is not limited to;

- No. of MPR's by Shipper by Product where a new AQ has been calculated and Revised
- No. of MPR's by Shipper by Product where a new AQ has not been calculated
- % of portfolio
- Sum of current AQ
- Sum of Revised AQ
- Total MPR's where AQ amended via the AQ Correction process

- Total no. of AQ increases by Shipper
- Total no. of AQ decreases by Shipper

9. Transitional Rules

Transitional rules are required to deal with the period immediately prior to and following the implementation of these rules.

Any transitional requirements/issues will be identified during the analysis stage and discussed at the Workgroup.

9.1 Implementation Date

The workgroup do not believe there are any process or system restrictions for when a rolling AQ regime can be implemented however this may change following detailed analysis of the requirements.

If an annual review is not carried out before the rolling AQ process is implemented there may be an issue with some MPRs not having their AQ reviewed until the next valid read is loaded which could be as long as 2 years (assuming a read is obtained as a result of the Must Read obligation)

9.2 Threshold Crosser Adjustments

Current Modification 0640 Threshold Crosser Adjustments will not be required if the Rolling AQ processes are implemented with or after Meter Point Reconciliation. If Rolling AQ is implemented before Meter Point Reconciliation the Mod 0640 adjustments will need to continue. Further discussion and analysis will be required if this is the case.

10. Non-Functional Business Requirements

11. Document Control

Version History

| Version | Status | Date | Author(s) | Summary of Changes |
|---------|----------------------------------------|------------|-----------|----------------------------------------------------------------------------------------------------------------------------------------------------------------------------------------------------------------------------------------------------------------------------------------------------------------------|
| 0.1 | Initial Draft | 05/07/2011 | Xoserve | First draft |
| 0.2 | Draft | 19/07/2011 | Xoserve | Updated following PN UNC Workgroup meeting on 18/07/2011 |
| 0.3 | Draft | 16/08/2011 | Xoserve | Updated following PN UNC Workgroup on 03/08/2011 |
| 0.4 | Draft | 08/09/2011 | Xoserve | Updated following PN UNC Workgroup on 06/09/2011 |
| 0.5 | Draft | 23/09/2011 | Xoserve | Updated following PN UNC Workgroup on 20/09/2011 |
| 0.6 | For industry review | 28/10/2011 | Xoserve | Updated following PN UNC Workgroup on 25/10/2011 |
| 1.0 | Baselined Approved version | 22/11/2011 | Xoserve | Approved at PN UNC Workgroup on 21/11/2011 |
| 2.0 | Updated Baselined Approved version | 30/03/2012 | Xoserve | Updated following request at PN UNC on 06/12/2011 to add paragraph under section 8.2.1 and amended format for uploading document into Requirements management tool. Replaced process maps as minor amendments made (clarifications) & amended document to reflect changes agreed at PN UNC on 07/02/12 and 13/03/12. |
| 2.1 | Updated baselined version for approval | 21/01/2013 | Xoserve | Updates agreed at PN UNC |
| 2.2 | Updated baselined version for approval | 05/02/2013 | Xoserve | Updates agreed at 05/02/2013 PN UNC. |

| | | | | |
|---------------------|---------------------------------------|----------------------------|------------------------|----------------------------------------------------------------------------------------|
| 3.0 | Approved | 05/02/2013 | Xserve | Version 2.1 agreed at PN UNC on 05/02/2013 |
| 3.1 | Updated for Approval | 07/03/2013 | Xserve | Updated following changes agreed at PN UNC |
| 3.2 | Updated for approval | 02/04/2013 | Xserve | Updated process maps |
| 4.0 | Baselined | 07/05/2013 | Xserve | Baselined version of 3.2 |
| 4.1 | Updated for approval. | 07/10/2013 | Xserve | Updated version following review of legal text v BRD |
| 4.2 | Updated for approval | 25/10/2013 | Xserve | Clarification added to section s 6.1.9, & 8.3.4 following a query. |

Reviewers

| Name | Version | Date |
|-------------------------|---------------------|------|
| AMR Workgroup attendees | All | |
| PN UNC | All | |

Approval

| Name | Version | Date |
|------------------------|---------------------|----------------------------|
| PN UNC | 1.0 | 21/11/2011 |
| PN UNC | 2.0 | 30/03/2012 |
| PN UNC | 3.0 | 05/02/2013 |
| PN UNC | 4.0 | 07/05/2013 |
| PN UNC | 5.0 | 22/10/2013 |