

# Business Requirements Definition

for

## Project Nexus

submitted to

## Project Nexus Workgroup Annual Quantity

<b>Author (for this version):</b>	<b>Xoserve</b>
<b>Version:</b>	<b>5.30</b>
<b>Date:</b>	<b>11<sup>th</sup> February 2015 <del>25/10/2013</del></b>

~~This document contains confidential or privileged information; it should not be copied or disclosed to any third party without the express permission of Xoserve Ltd. All rights reserved.~~

Copyright © 2011 Xoserve Ltd

## Contents

1.	<b>Glossary</b>	<b>3</b>
2.	<b>Document Purpose</b>	<b>5</b>
3.	<b>Executive Summary</b>	<b><u>976</u></b>
4.	<b>Benefits</b>	<b><u>12109</u></b>
5.	<b>Change Scope</b>	<b><u>131110</u></b>
6.	<b>Assumptions and Concerns</b>	<b><u>141214</u></b>
7.	<b>Overview of Business Processes</b>	<b><u>171514</u></b>
8.	<b>Business Requirements</b>	<b><u>242221</u></b>
9.	<b>Transitional Rules</b>	<b><u>353331</u></b>
10.	<b>Non-Functional Business Requirements</b>	<b><u>373532</u></b>
11.	<b>Document Control</b>	<b><u>383633</u></b>

## 1. Glossary

Term / Acronym	Definition
Annual Quantity (AQ)	Annual quantity of gas assumed to be offtaken over a period based on historical information
AQ Close-Out	The last Day on which Meter Readings or other information received by the Transporters will be considered for the purposes of the Monthly AQ Review.
AQ Effective Day	The Day on which the Notified AQ becomes effective.
BSSOQ	Bottom Stop SOQ
Calculated AQ	The AQ calculated as a result of a read being loaded
Consumption Period	The period in Days between the dates of the actual two Meter Readings available for use in the Monthly AQ Review calculations.
CSEP	Connected System Exit Point (iGT Supply Points)
Current AQ	The Annual Quantity registered at a Supply Meter Point prior to a change in the Annual Quantity made as a result of the Monthly AQ Review.
DECC	Department of Energy and Climate Change
DM	Daily Metered
End Meter Reading	The later Meter Reading, that is not more recent than the Information Close-Out Day, which determines the end of the Consumption Period.
EUC	End User Category
GFD	Gas Flow Day
GT	Gas Transporter
LSP	Larger Supply Points (AQ above 73,201 kWh)
Monthly AQ Review	The process conducted by the Transporters whereby, as a result of Meter Readings, the Annual Quantity of a Supply Meter Point is recalculated.
NDM	Non Daily Metered
Notification Day	The Day on which the Transporters notify the Registered Users of changes in the Annual Quantity.
Notified AQ	The Annual Quantity notified by the Transporters when a change of Annual Quantity of a Supply Meter Point is notified to the Registered User as a result of the Monthly AQ Review.
NTS	National Transmission System
Optimum Read	An ideal read within the required period to calculate an AQ

Prime and Sub	Is a Sub-deduct Arrangement
RbD	Reconciliation by Difference
Read Validation Override Flag	The indicator set by the User on read submission to request that despite anticipating a Supply Meter Point would fail validation, the meter reading is correct.
Revised AQ	The new AQ calculated
SAP	System Average Price
SHQ	Supply Point Hourly Offtake
Site	Supply Meter Point level
SND date	Seasonal Normal Demand Review date (SND updates WAALP factors retrospectively for a 3 year period)
SOQ	Supply Point Daily Offtake
SSP	Smaller Supply Points (AQ = to or less than 73,200 kWh)
Start Meter Reading	The earlier Meter Reading that determines the start of the Consumption Period.
Sub-deduct Arrangement	An arrangement of pipes and meters, by which a part of the gas which is conveyed by a System to premises for the purposes of supply to those premises, is further conveyed to other premises for the purposes of supply to those other premises.
Valid Read	A meter reading which has passed all GT read validations as described in the 'Meter Read Submission and Processing and Settlement Arrangements BRD'. A valid read can also be the estimated transfer reading.
Validation Override Flag	Indicator set by the Shipper to request that despite anticipating a meter read would fail validation, the read is correct and should be accepted and used for other processes including to calculate the AQ.
WAALP factors	Winter Average Annual Load Profile
Winter Consumption	The consumption of a Supply Meter Point calculated from meter readings taken, over the period 01 December to 31 March,
Winter Annual Ratio (WAR)	The ratio of the Winter Consumption of a Supply Meter Point to its Annual Quantity.

## 2. Document Purpose

The purpose of this document is to ensure that the business requirements associated with the referenced change have been accurately captured and to clearly specify these requirements to the Project Nexus AQ Workgroup and Project Nexus UNC Workgroup (PN UNC). ~~Adequate information should be provided to enable the industry to approve the documented requirements for Cost benefit Analysis at a later stage.~~

The contents refer to the business scope of the change and provide descriptions of the business requirements and the relevant existing and future process maps.

This document builds upon the Business Requirements Definition document for Annual Quantity, version 5.0 dated 25/10/2013 published on the Joint Office website:

<http://www.gasgovernance.co.uk/nexus/brd>

Following the Nexus design within the UK Link Programme, further levels of detail have been identified that needed to be presented and agreed by the industry. If necessary supporting UNC modifications will be raised. The greater detail presented in this document does not change the UNC business rules defined in Modification 0432 - Project Nexus – Gas Demand Estimation, Allocation, Settlement and Reconciliation reform.

### 2.1 Updates since the approval of Modification 0432

The following provides a summary of the updates since the BRD was baselined following approval of Modification 0432.

The table will show;

- Updates that have been made to clarify the business requirement
- Updates to reflect Modification 0432 legal text
- New requirements or changes to requirements that have been agreed at PN UNC

<u>Updated Section in BRD</u>	<u>Summary of the Reason for the Update</u>	<u>Source</u>	<u>Date Presented at PN UNC</u>	<u>Date Agreed at PN UNC</u>	<u>Section of UNC that requires update</u>	<u>UNC Mod Required?</u>	<u>Date B Update</u>
<a href="#">8.2.2</a>	<a href="#">Clarification to the timescales for submission of a read to be used in the AQ process</a>	<a href="#">Q&amp;A X83 &amp; X136</a>	<a href="#">Clarification only</a>	<a href="#">Clarification only</a>	<a href="#">N/A</a>	<a href="#">No</a>	<a href="#">13/01/2014</a>
<a href="#">8.2.5</a>	<a href="#">Added reference to relevant section of the BRD for clarification</a>	<a href="#">Internal review</a>	<a href="#">Clarification only</a>	<a href="#">Clarification only</a>	<a href="#">N/A</a>	<a href="#">No</a>	<a href="#">13/01/2014</a>
<a href="#">8.3.3</a>	<a href="#">Added the AQ calculation formula for clarification</a>	<a href="#">Q&amp;A X84</a>	<a href="#">Clarification only</a>	<a href="#">Clarification only</a>	<a href="#">N/A</a>	<a href="#">No</a>	<a href="#">13/01/2014</a>
<a href="#">8.6.1</a>	<a href="#">AQ Correction – added further reason for submission due to read failure</a>	<a href="#">Internal review</a>	<a href="#">As per UNC</a>	<a href="#">As per UNC</a>	<a href="#">N/A</a>	<a href="#">No</a>	<a href="#">13/01/2014</a>
<a href="#">8.6.5</a>	<a href="#">AQ Correction – added that the read is required where the request is following read validation failure</a>	<a href="#">Internal review</a>	<a href="#">As per UNC</a>	<a href="#">As per UNC</a>	<a href="#">N/A</a>	<a href="#">No</a>	<a href="#">13/01/2014</a>
<a href="#">8.6.6</a>	<a href="#">(REQ23) AQ Correction – Added timescale for a request for New Business Activity within 3 months</a>	<a href="#">PN UNC</a>	<a href="#">09/09/2014</a>	<a href="#">09/09/2014</a>	<a href="#">G1.6.21</a>	<a href="#">Yes</a>	<a href="#">13/01/2014</a>
<a href="#">8.7</a>	<a href="#">Threshold crossers – clarified the reason when a notification will be issued to the Shipper following AQ process</a>	<a href="#">Q&amp;A X85, X145 &amp; X227</a>	<a href="#">Clarification only</a>	<a href="#">Clarification only</a>	<a href="#">N/A</a>	<a href="#">TBC</a>	<a href="#">13/01/2014</a>
<a href="#">8.8.3</a>	<a href="#">Added clarification on the dates the snapshot of the AQ &amp; SOQ will be taken</a>	<a href="#">DNCFM &amp; Q&amp;A X51</a>	<a href="#">Clarification only</a>	<a href="#">Clarification only</a>	<a href="#">N/A</a>	<a href="#">No</a>	<a href="#">13/01/2014</a>
<a href="#">8.9</a>	<a href="#">(REQ2) Added clarification regarding process for challenge on the Winter Consumption &amp; Winter Annual Ration Bands (WAR)</a>	<a href="#">PN UNC &amp; Q&amp;A X80 &amp; X211</a>	<a href="#">08/01/2014</a>	<a href="#">08/01/2014</a>	<a href="#">Not in UNC</a>	<a href="#">Not currently in UNC</a>	<a href="#">13/01/2014</a>
<a href="#">8.10</a>	<a href="#">Clarification for assigning End User Categories (EUC)</a>	<a href="#">Q&amp;A X69 &amp; X212</a>	<a href="#">Clarification only following Q&amp;A</a>	<a href="#">Clarification only following Q&amp;A</a>	<a href="#">N/A</a>	<a href="#">No</a>	<a href="#">13/01/2014</a>
<a href="#">8.11</a>	<a href="#">Clarification on calculation of AQs on a Prime &amp; Sub</a>	<a href="#">Q&amp;A X148</a>	<a href="#">Clarification only</a>	<a href="#">Clarification only</a>	<a href="#">N/A</a>	<a href="#">No</a>	<a href="#">13/01/2014</a>

Annual Quantity BRD

<a href="#">8.15</a>	<a href="#">Included transitional rules from annual to monthly AQ process</a>	<a href="#">PN UNC</a>	<a href="#">12/05/2014</a>	<a href="#">12/05/2014</a>		<a href="#">Yes</a>	<a href="#">13/01/2014</a>
----------------------	---	------------------------	----------------------------	----------------------------	--	---------------------	----------------------------

### **2.1.2.2 Intended Audience**

- Gas Shippers/Suppliers
- Gas Transporters (Large and Small)
- Xoserve
- Customer Representative



### 3. Executive Summary

#### 3.1 Introduction to the change

This document defines the timescales and processes associated with the calculation of the Annual Quantity for gas meter points.

The document has been based on presentations and discussions at the Project Nexus AQ Workgroup and considering the high level principles agreed at the AQ Principle Workgroup in April 2010. .

All square brackets [] indicates values that can be parameterised for the purposes of the BRD although will require confirming for system design or system design or system development.

#### 3.2 Implementation Timescales

Implementation of the developed solution will be confirmed once all requirements are captured following the Project Nexus Requirements Definition Phase.

#### 3.3 Change Drivers and Business Goals

##### 3.3.1 Drivers

The drivers detailed below are those identified by the AQ Workgroup for the derivation of the Annual Quantity (AQ);

- a. AQ to accurately reflect site consumption
- b. To utilise the reads obtained from remotely read meters in the calculation of the AQ
- c. To simplify the process wherever possible without affecting the accuracy of the AQ
- d. To systematise processes
- e. To smooth out workloads throughout the year
- f. Provide an incentive to Shippers to submit accurate and timely reads
- g. Provide transparency throughout the AQ review process and via industry reports

##### 3.3.2 Business Goals

To develop a robust regime for the derivation of a site's annual consumption (AQ) that is utilised in downstream processes. The AQ to be as accurate as possible using the latest available historic meter reads.

#### 3.4 Change Background

The changes have been identified as a result of Xoserve's Project Nexus consultation for the replacement of UKLink systems and following DECC's consultation on Smart metering and Supplier licence obligation for the installation of advanced meters.

The changes are also as a result of Modification 0209 which was allocated to the Project Nexus Workgroup in May 2009 and more recently Modification 0380 which is a replacement for Mod 0209.

#### 3.4.1 Areas Identified in the Initial Requirements Register (IRR)

- Introduction of a rolling AQ is a core services required to ensure energy is accurately allocated
- Rolling AQ will reduce the risk to RbD shippers and their costs associated with reconciliation
- Increased energy consumption data should feed into an updated AQ rather than waiting for the annual review
- Rolling AQ being developed by Mod 0209 workgroup and should feature in Project Nexus
- Review of the SOQ for DM and NDM sites throughout the year as currently it can be up to 12 months out of date

#### 3.4.2 Business process Issues raised during the Workgroups

- Changes in consumption are not immediately reflected in the AQ
- Current AQ is based on historic consumption data, the AQ does not accurately reflect current consumption
- Unable to appeal SSP AQs
- Manually labour intensive during the summer months for all parties
- Impacts on other processes during the processing and updating of the AQ
- Current process does not provide an incentive to submit reads more frequently

#### 3.4.3 UNC and Licence Impacts

- UNC Section G1.6
- UNC Section H3

#### 3.4.4 UNC Process Impacts

- Annual AQ Review

#### 3.4.5 Interaction with Project Nexus High Level Principles

In April 2010 the following high level principles for an AQ review were agreed at the Project Nexus Principle Workgroup;

- Preference for a 'No AQ' regime. This regime is only possible where daily allocations are performed based on actual reads.
- However, it was recognised that an AQ will continue to be required for UNC processes, industry processes and licence obligations. GTs would also require an AQ for network operations.
- Transitional arrangements in a 'No AQ' regime would use a 'Rolling AQ' principle.
- 'Rolling AQ' was the preferred option where allocations were not performed daily using actual reads.
- Fallback position was an improved Annual AQ review.

### 3.5 Related Documents

<b>Document Title</b>	<b>Location</b>
Modification 0209: Rolling AQ	Joint Office Website
Modification 0380: Periodic AQ Calculation	Joint Office Website
AQ Principles Workgroup Report (19/05/2010)	Joint Office Website
Meter Read Submission and Processing and Settlement Arrangements BRD	Joint Office Website
PN UNC Workgroups	Joint Office Website

## **4. Benefits**

### **4.1 Industry Benefits**

The following benefits will need to be aligned with the Transporter relevant objectives;

- 4.1.1 Site AQ will more accurately reflect site consumption
- 4.1.2 Utilising the reads received from remotely read meters
- 4.1.3 More accurate allocations
- 4.1.4 Simplified Shipper and GT processes
- 4.1.5 Reduction in manual intervention due to systematised approach
- 4.1.6 Spread out workload
- 4.1.7 Incentivise more frequent read submission
- 4.1.8 Greater User confidence in the AQ calculation regime

## **5. Change Scope**

### **5.1 In Scope**

#### 5.1.1 Function:

- a. Calculation of a site's AQ
- b. Timing of the calculation
- c. Validation of the AQ
- d. Submission of the AQ to Shippers
- e. Challenges to the AQ
- f. Updating the AQ
- g. SOQ, SHQ and BSSOQ calculation and timing of the calculation

#### 5.1.2 Market Sector:

- a. All directly connected gas meter points
- b. Daily Metered CSEP sites
- c. NTS sites
- d. Prime and Sub sites
- e. NDM CSEPs (aspiration for all iGT sites to be treated the same as directly connected sites)

### **5.2 Out of Scope**

#### 5.2.1 Function:

- a. Any process not described above as In Scope

#### 5.2.2 Market Sector:

# Detailed Requirements Analysis

## 6. Assumptions and Concerns

### 6.1 Assumptions

- 6.1.1 The business rules will need to be appropriate for dumb metered sites as well as remotely read sites
- 6.1.2 The processes described in the Settlement Workgroups are approved
- 6.1.3 The proposed validations carried out by the GT at read receipt will ensure that any significant erroneous reads are rejected and not used for AQ calculation.
- 6.1.4 Only the latest replaced valid read at the time the AQ is calculated will be used.
- 6.1.5 Ratchets will continue as an incentive regime where Shippers nominate the SOQ and SHQ.
- 6.1.6 There will not be a requirement to retrospectively update the AQ.
- 6.1.7 If 'Monthly Rolling AQ Review' is implemented prior to the 4 processes determined in the Settlement Workgroup, the current UNC read limits would continue to apply.
- 6.1.8 An AQ will not be calculated if the validations on the read have failed due to asset data
- 6.1.9 Estimated reads will not be used to trigger an AQ calculation
- 6.1.10 Sub deduct arrangements will continue and the Prime and Sub-deduct meter(s) will continue to have an AQ for each meter (currently the AQ for the Sub-deduct meter is deducted after calculating the Prime meter AQ).
- 6.1.11 AQ process during a 'Leap Year' will be treated the same as the current arrangements, i.e. calculate 365+1 daily consumptions.
- 6.1.12 Threshold Crosser adjustments, Mod 0640, will not be required where rolling AQ is implemented with or after individual Meter Point Reconciliation. If the business rules described in this document are implemented before Meter Point Reconciliation Mod 0640 adjustments may need to continue (see Section 9) until Meter Point Rec is implemented.
- 6.1.13 Where an AQ is calculated the GT will not perform validation on the AQ before submission to the Shipper as meter reads will be validated by the GT on receipt of the read, this is described in the 'Meter Read Submission and Processing and Settlement Arrangements BRD'.
- 6.1.14 Where an AQ is calculated from a read subsequently identified as incorrect, the Shipper can submit a new read within the timescales described under Section 8.2 and a new AQ will be calculated and be effective, subject to validation, for the 1<sup>st</sup> of the following month.

- 6.1.15 There will not be a retrospective adjustment to energy or transportation charges where the AQ calculated is later found to be calculated based on incorrect reads.
- 6.1.16 The existing arrangements will apply for the application and calculation of the BSSOQ annually.
- 6.1.17 BSSOQ will only apply to Product 1 and Product 2 sites.
- 6.1.18 It is unlikely that the 'Spec Calc' will be required in a 'Rolling AQ' regime, however, this assumption will need to be re-assessed by the industry once the detailed business rules have been approved.
- 6.1.19 Only validated meter reads, as described in the 'Meter Read Submission and Processing and Settlement Arrangements BRD' will be used for AQ calculation (options on how this will work for the transitional period will be considered further under Section 9).
- 6.1.20 The existing methodology for calculating the AQ will continue unless specified under Section 8 of this document.

## 6.2 Dependencies

- 6.2.1 The processes described within the Settlement Workgroup are unchanged.
- 6.2.2 The GT read validations described under the 'Meter Read Submission and Processing and Settlement Arrangements BRD' would need to be implemented before the rules described in this document are implemented.
- 6.2.3 Approval of the requirements by PN UNC
- 6.2.4 Approval by Ofgem following the appropriate UNC Modification process.

## 6.3 Risks & Issues

- 6.3.1 Not all Shippers/Suppliers attend the workgroups or are represented therefore there may be opposition to any potential Modifications raised.
- 6.3.2 If the monthly AQ regime were to be implemented before the read validations described under the Settlement regime, interim/transitional arrangements may need to be applied to ensure erroneous AQs are not implemented as a result of an invalid read being loaded.
- 6.3.3 Impacts on allocation will continue if the AQ is not calculated due to incorrect asset data held on the Supply Point Register as a new AQ will not be calculated.
- 6.3.4 Efficient AQ calculation is dependent on improved Shipper Meter Reading performance and increased frequency of read submission: if the significant roll-out of remote reading equipment does not occur (or is delayed) then there is a risk that read performance will not improve and that AQs will not be recalculated regularly.

## 6.4 Constraints

6.4.1 None identified.

| ~~6.4.1~~

## 6.5 Design Considerations

6.5.1 Values for start and end dates, durations, bands (lower & upper) etc. must be parameterised.

## 6.6 Concerns

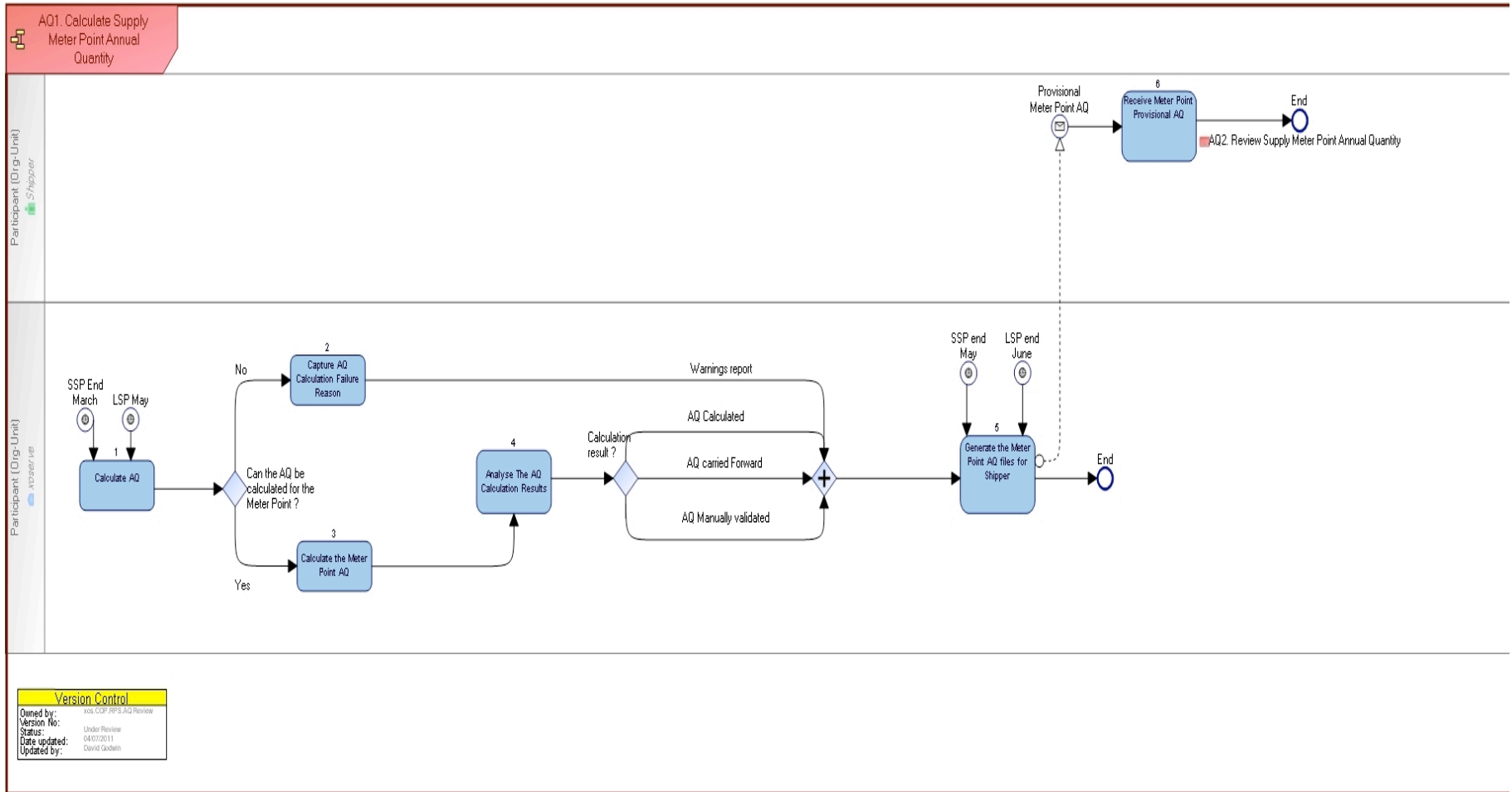
6.6.1 Ofgem have raised concerns regarding the submission of estimates by Shippers as this can provide an opportunity for gaming, for example by submitting over or understated estimated reads depending on the SAP rates. However, it was agreed by the Workgroup that all estimated reads will be calculated using a standard methodology. Update from 7<sup>th</sup> February 2012 PNUNC; Estimated reads will not be used for AQ calculation.

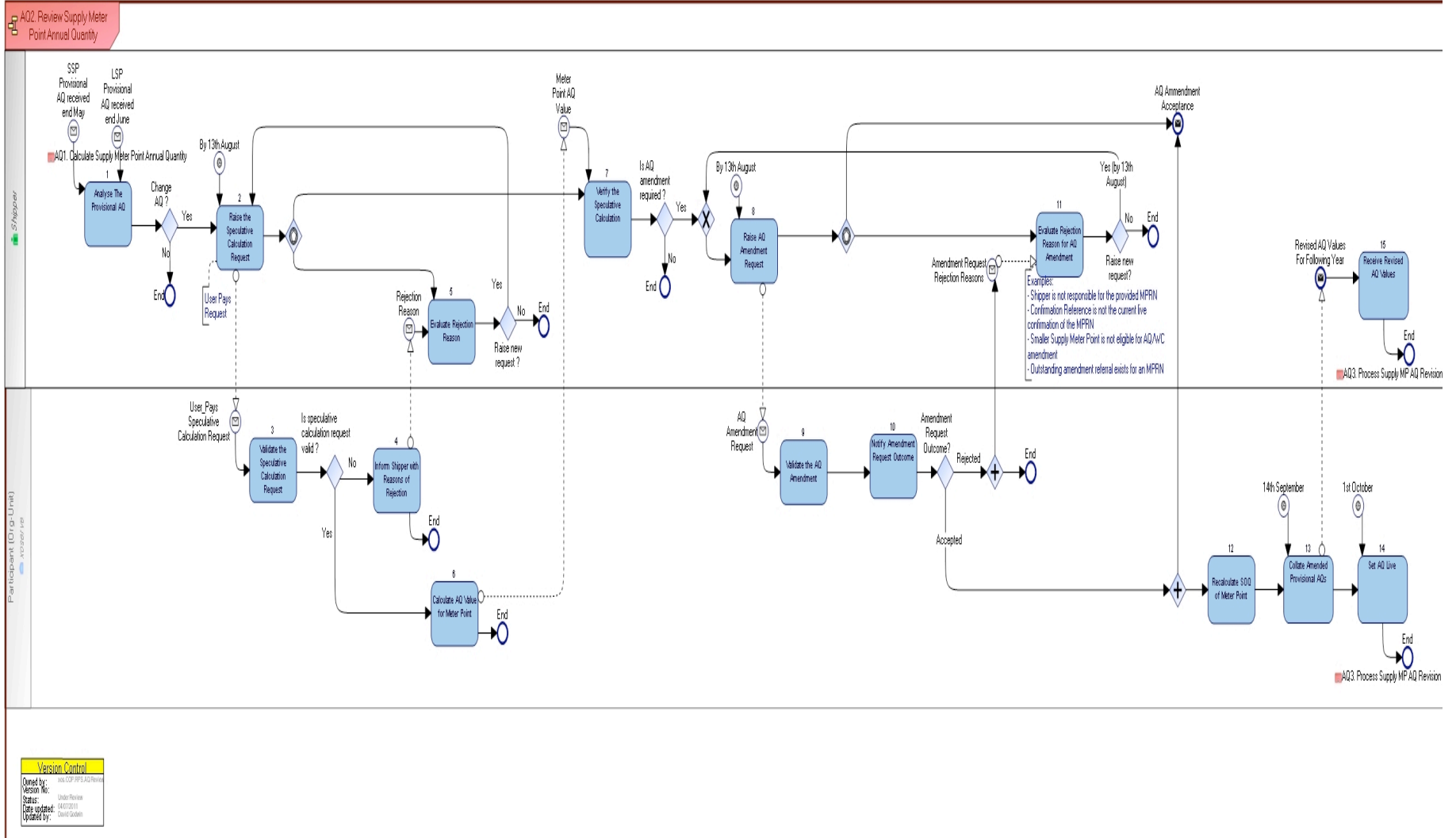
|



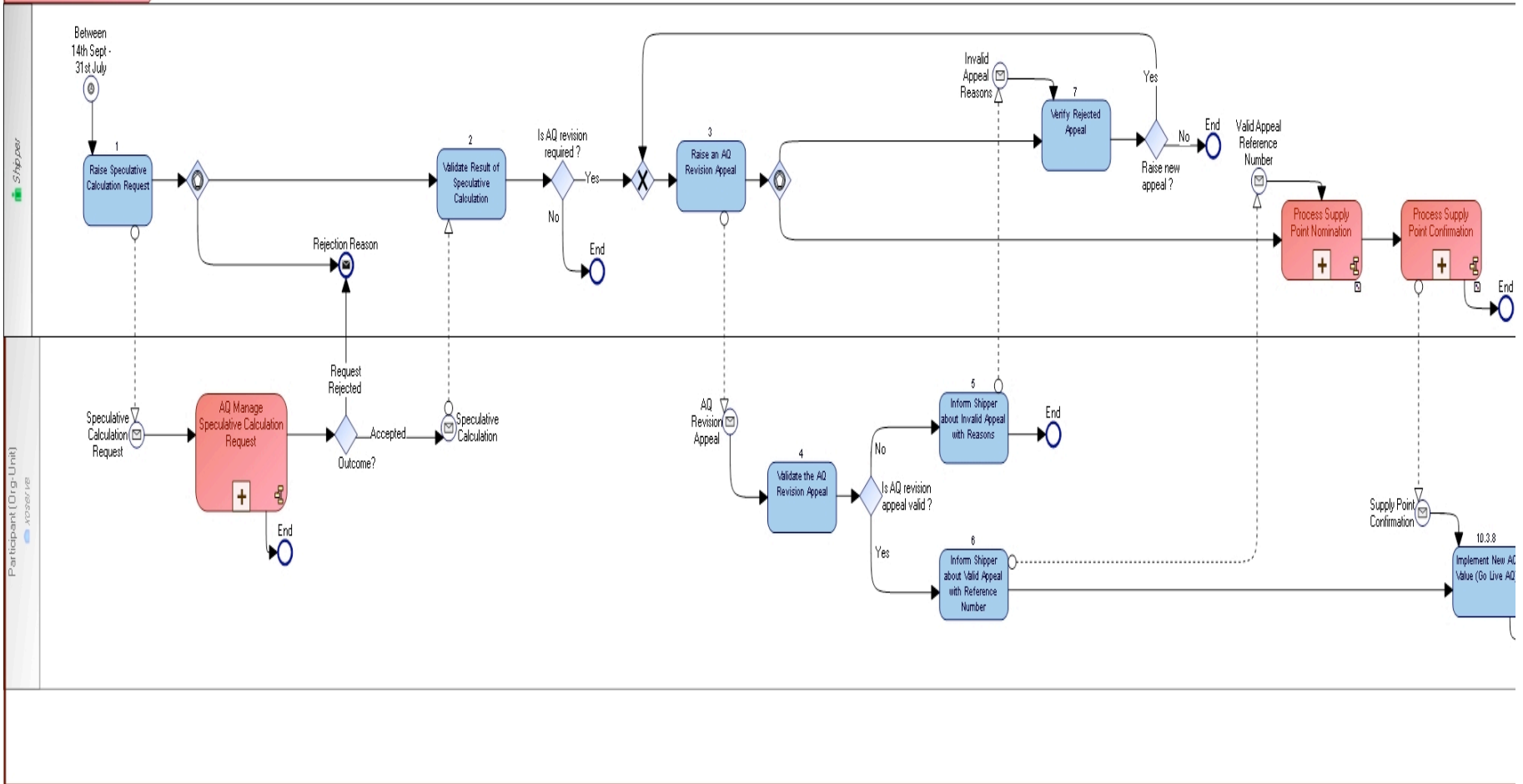
## 7. Overview of Business Processes

### 7.1 Current Processes and Process Maps



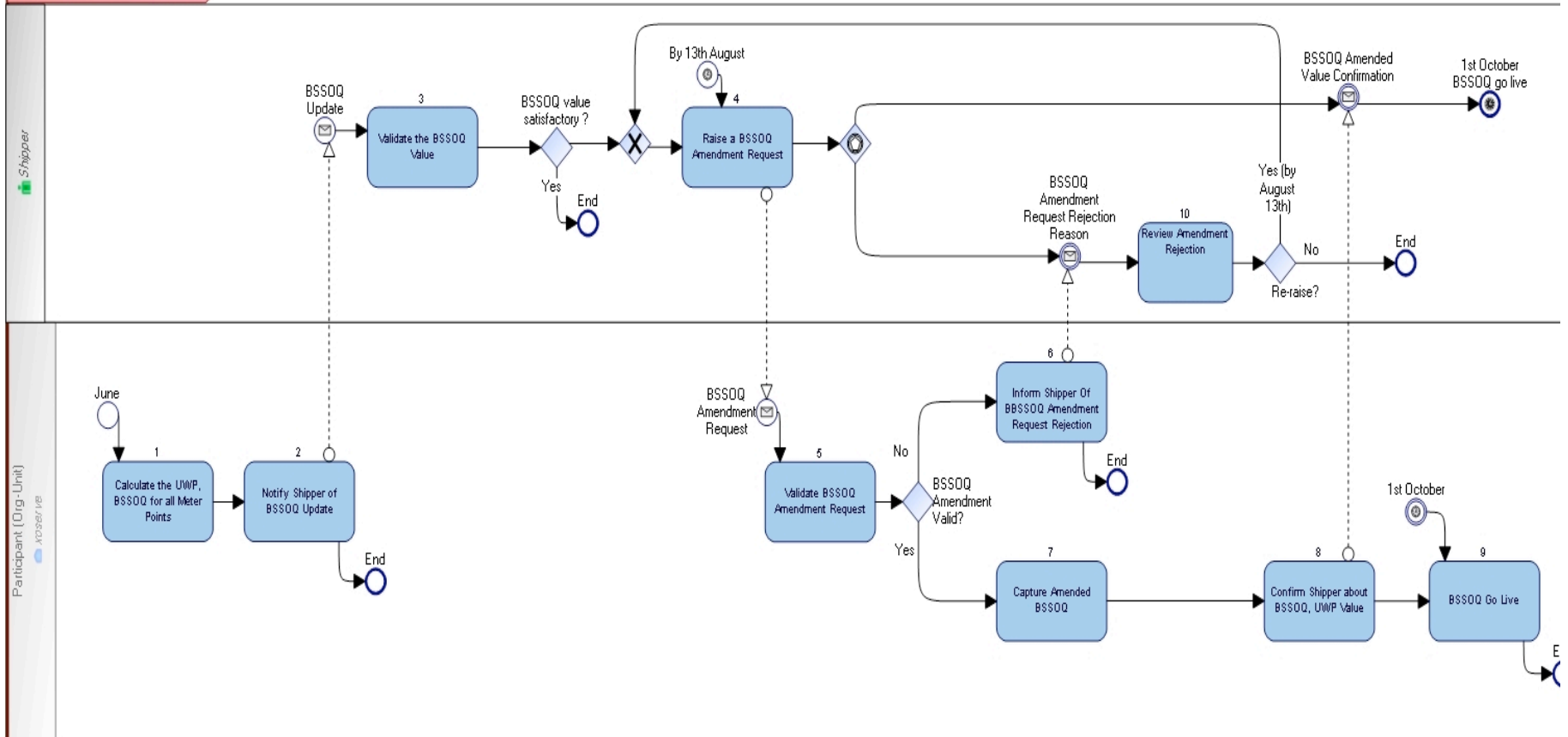


AQ3. Process Supply MP  
AQ Revision Appeal



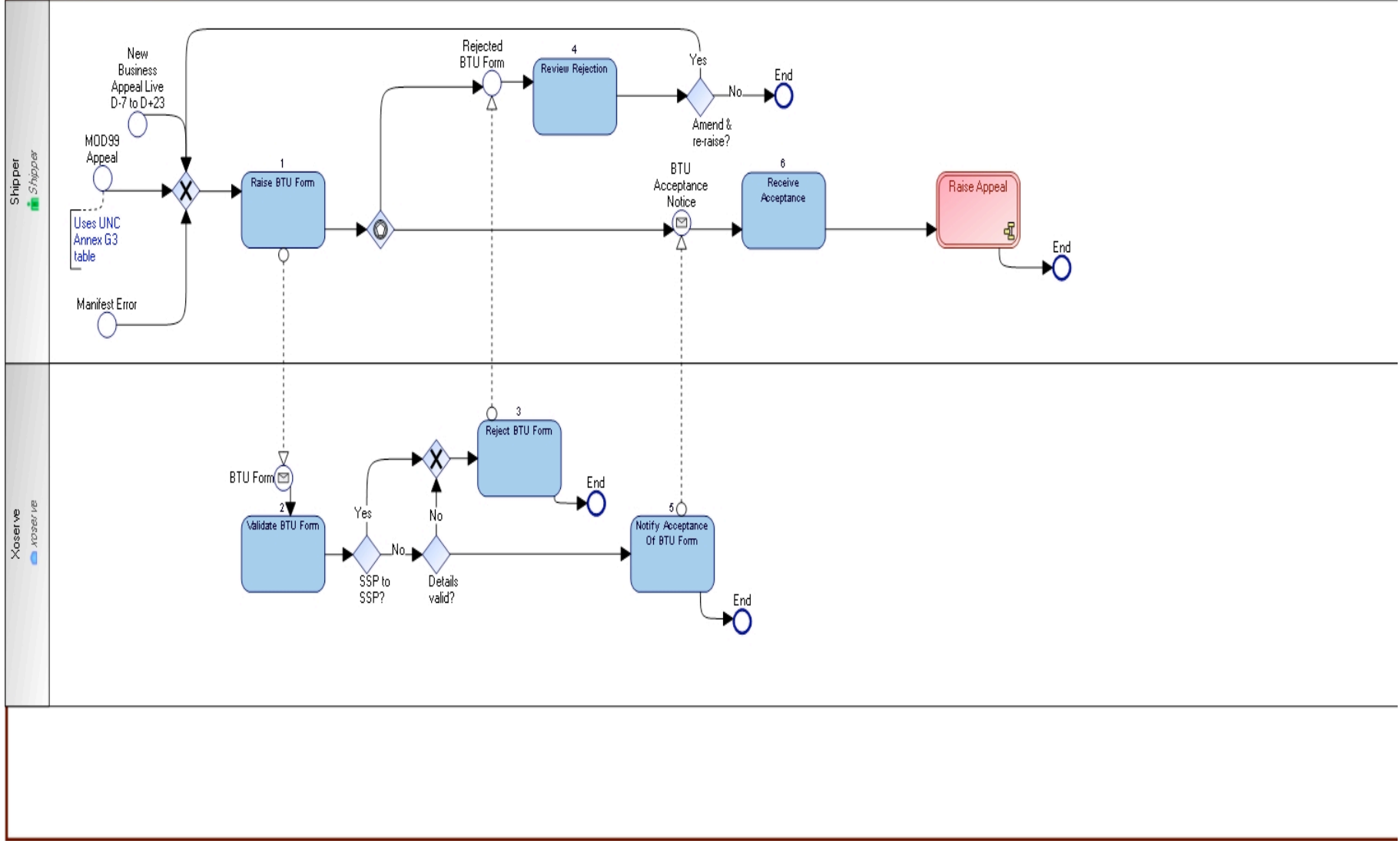
Version Control	
Owned by:	xxxx.COP.RFS.AQ Review
Version No:	Under Review
Status:	30/06/2011
Date updated by:	David Godwin

AQ4. Review Supply Meter Point BSSOQ, UWP

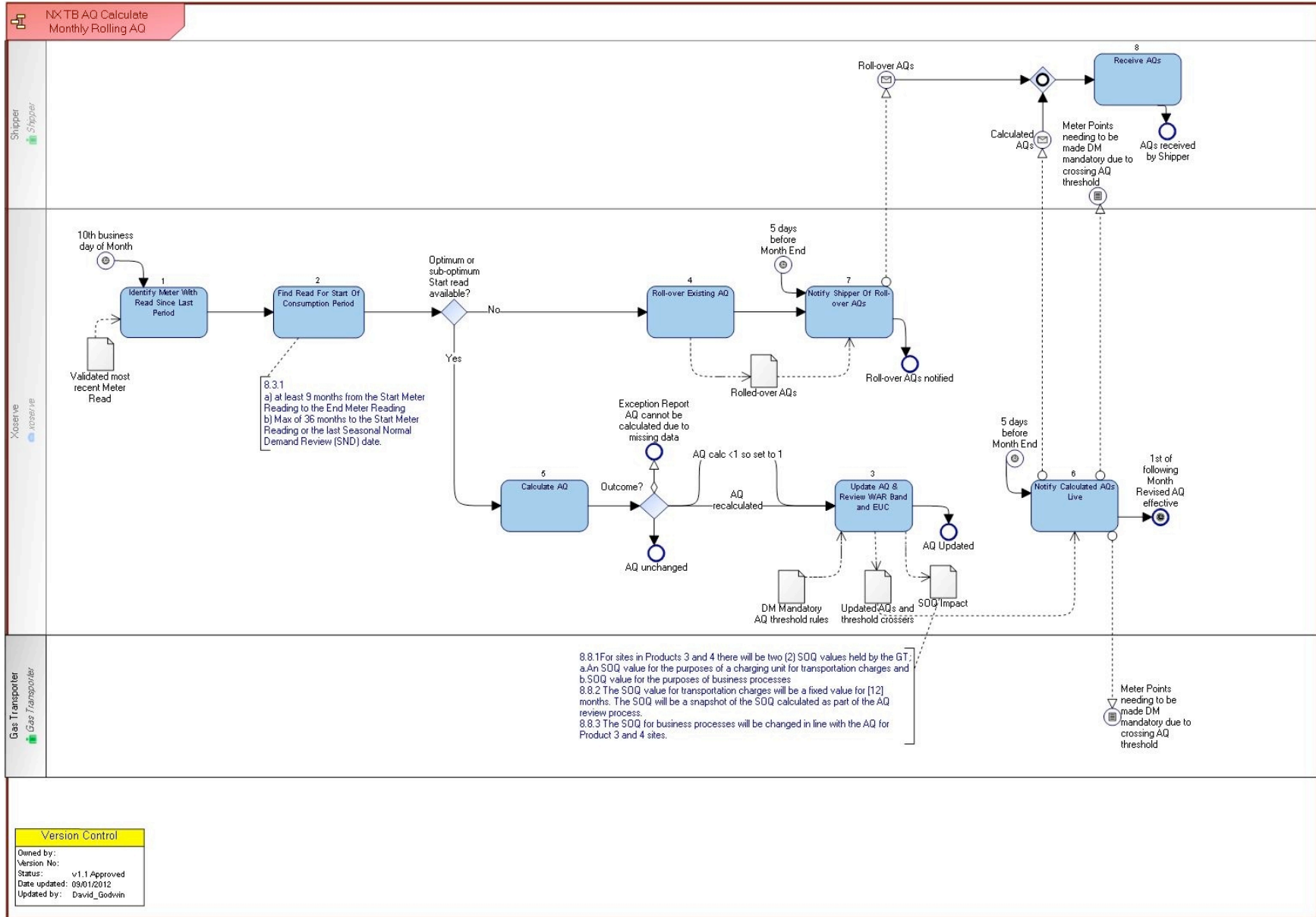


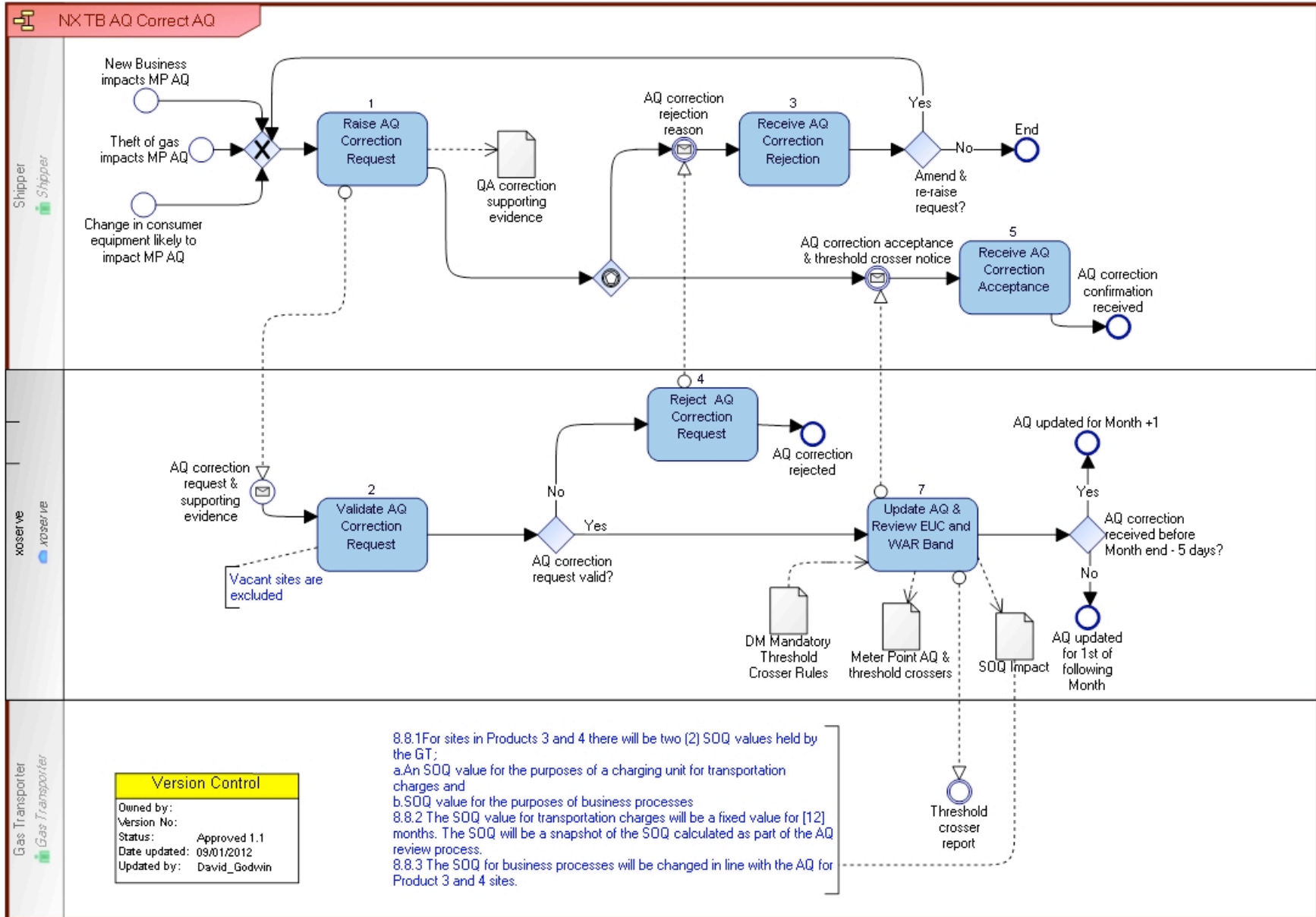
Version Control	
Owned by:	xos COP RPS AQ Review
Version No:	Under Review
Status:	04/07/2011
Date updated:	David Godwin
Updated by:	

NXAI Appeal AQ



## 7.2 To-Be Processes and Process Maps





## 8. Business Requirements

Throughout this section reference is made to four new processes designed in the Project Nexus Settlement Workgroup for the submission and processing of meter readings and settlement arrangements. These four future state processes are summarised below;

- Product 1, 'Daily Metered Time Critical'
  - Service for DM Mandatory sites only
  - Daily reads obtained and submitted by the DMSP daily before 11.00 am on GFD+1.
  - The reads are issued to the Shipper.
  - The latest valid read loaded by GFD+5 will be used for allocation and energy balancing purposes.
  
- Product 2, 'Daily Metered Not Time Critical'
  - Daily reads obtained and submitted to the GT daily.
  - If the reads are submitted before 11.00 am they will be used for allocation purposes otherwise a read must be received before end of the GFD+1.
  - Actual reads to be submitted by the Shipper
  - The latest valid read loaded by GFD+5 will be used for final allocation and energy balancing purposes.
  
- Product 3, 'Batched Daily Readings'
  - Daily readings are obtained for each day but are not submitted daily
  - The daily reads are received in batches to a pre-notified frequency
  - Actual reads will be submitted within the batch by the Shipper.
  - Reconciliation will be carried out based on the valid daily reads received
  - Allocation and energy balancing is based on allocation profiles and AQ
  
- Product 4; 'Periodic Readings'
  - An actual meter reading is submitted periodically.
  - Allocation and energy balancing is based on allocation profiles and AQ
  - Reconciliation is carried out using the methodology determined within the Reconciliation Workgroup

Figure 1 provides a summary of the AQ processes by Settlement Product;



**Figure 1: Summary of the 4 meter reading processes and related AQ processes**

Process Description	Read Used for Allocation	Read used for Energy Balancing	Shipper Read Submission	Timing of AQ calculation	Reads used for AQ calculation	Read Type used for the AQ calculation	SOQ Calculation	Reconciliation
Product 1: Daily Metered Time Critical Readings	Daily Read	Daily Read	Daily by 11 am on GFD+1	Monthly	2 reads a minimum of 9 months & max of 36 months apart	Actual read	Shipper Nominates	Meter Point level following a re-synch or estimate
Product 2: Daily Metered not Time Critical Readings	GT Estimate	Daily Read	Daily by end of GFD+1	Monthly	2 reads a minimum of 9 months & max of 36 months apart	Actual read	Shipper Nominates	Meter Point level following a re-synch or estimate
Product 3: Batched Daily Readings	Allocation Profiles	Allocation Profiles	Daily Reads in Batches	Monthly	2 reads a minimum of 9 months & max of 36 months apart	Actual read	GT Derives	Daily Rec at Meter Point level on receipt of a batch of reads
Product 4: Periodic Readings	Allocation Profiles	Allocation Profiles	Periodically	Monthly	2 reads a minimum of 9 months & max of 36 months apart	Actual read	GT Derives	Meter Point level at receipt of reac

## 8.1 Meter Reads

8.1.1 All valid actual meter readings will be considered for use in the AQ review, including the transfer read. If the read has been loaded it is deemed as valid for the purposes of the Monthly AQ Calculation. For clarification the read types that will be considered for AQ review are;

- Cyclic Read
- Transfer Read including a Shipper Agreed Read
- Check Read
- Must Read
- Meter removal reading

8.1.2 For Product 1 & 2: only 'Closed Out' reads (after GFD+5) will be considered for AQ calculation.

8.1.3 For Product 1, 2 & 3: The latest valid read loaded at AQ Close Out will be used to trigger the AQ calculation.

8.1.4 For Product 4: Identify Meter Reads that have been validated since the last valid read used to calculate the AQ for the associated Meter Point. This could be triggered more than once during the period since the last review if more than one read has been loaded. The latest valid read loaded at AQ Close Out will be used [to triggerfor](#) the AQ calculation.

## 8.2 Monthly Process

8.2.1 The AQ review will take place monthly for all sites where a valid read has been loaded. On the 10<sup>th</sup> day of the month, 'AQ Close Out', the latest valid read loaded will be considered for the AQ calculation.

Note: If during analysis the 10<sup>th</sup> day can be extended this would be an aspiration from Shippers to increase the time to submit a read for use in the AQ review.

[8.2.2 AQ process will consider reads loaded since 11<sup>th</sup> of the previous month and 10<sup>th</sup> of the current month.](#)

[8.2.28.2.3](#) Where a read has not been loaded since the last AQ review the current AQ will continue until a valid read is loaded.

8.2.38.2.4 The AQ calculation will use the latest valid actual read (as per 8.1) to determine the End Meter Reading and a valid Start Meter Reading obtained from a minimum period of 9 calendar months previous and a maximum period of 36 months.

8.2.48.2.5 Where a read has been replaced during the period specified in 8.2.2, the latest replaced read will be used for the calculation of the AQ.

8.2.58.2.6 The Registered Shipper and any Proposing Shipper with a Confirmation status of 'Requested', 'Confirmed' or 'Live' will be notified of the revised AQ no later than 5 business days prior to the end of the month (Notification Day).

~~Note: this could be more than once for Product 4~~

8.2.68.2.7 The Revised AQ will become effective on the 1<sup>st</sup> day of the month following the AQ Notification Day.

### 8.3 Consumption Periods

8.3.1 For all Products the AQ will be calculated using a consumption period of;

- a. At least 9 months from the Start Meter Reading to the End Meter Reading
- b. Maximum of 36 months to the Start Meter Reading or last Seasonal Normal Demand Review (SND) date (SND updates WAALP factors retrospectively for a 3 year period. WAALP factors are used to calculate AQ).

8.3.2 For all Products, the optimum consumption period from the Start Meter Reading and End Meter Readings available is a consumption period closest to 365 days

8.3.3 The AQ will be determined

8.3.3 For Class 1 and 2, as the sum of the Supply Meter Point daily quantities for all days in the AQ period

1. For Class 3 and 4,  $AQ \text{ Metered Quantity} \times 365 / \text{sum of } (ALP \times (1 + DAF \times WCF))$

8.3.4 If an 'Optimum Read' as per 8.3.2 is not available;

1. Obtain a valid read for a more recent date upto a minimum of 9 months

if no read available

2. Obtain a valid read for an older date upto a maximum of 36 months,

8.3.68.3.4 If the Meter Point has been 'Isolated' during the Consumption Period and the Start and End Meter readings are equal to or greater than 9 months, an AQ will be calculated. An AQ will not be calculated if the consumption period is less than 9 months after deducting the isolated period.

[8.3.78.3.5](#) For clarity, for new MPRN's, a revised AQ will not be calculated until 9 months consumption history is available.

[8.3.88.3.6](#) Where none of the conditions set out in 8.3.1 to 8.3.54 can be satisfied a Revised AQ will not be calculated and the Current AQ will continue to apply.

## 8.4 Validation

8.4.1 An AQ will not be calculated for the reasons described under Section 8.4.4.

8.4.2 Where the calculated AQ is less than 1 kWh the new AQ will equal 1 kWh.

8.4.3 Where the Calculated AQ is the same as the current AQ the Calculated AQ will be the Revised AQ.

8.4.4 A Revised AQ will not be calculated for the following reasons. Where an AQ is not calculated, the current AQ will apply and the Shipper will be advised;

- a. A more recent End Meter Reading is not available than that used previously to successfully determine the Notified AQ;
- b. From the meter readings available, a Consumption Period of greater than 9 months can not be established.
- c. From the meter readings available, a Consumption Period of less than or equal to three years can not be established.
- d. Insufficient data to calculate an AQ (e.g. new Supply Meter Point)

Note: Further validations may be identified during the detailed analysis of the requirements.

8.4.5 There will not be any validations on the AQ against the SOQ for Products 1 and 2 sites.

## 8.5 Read Validation Override Flag

Note: The following business rules are detailed in the 'Meter Read Submission and Processing and Settlement Arrangements BRD' but have been summarised here for information purposes.

- On the read submission communication a field will be included for the Shipper to notify and warrant to the GT that the read for the MPRN will fail the read tolerance checks but confirms that the read is correct, has been validated and should be accepted and processed by the GT. Note this warrant will not allow a read to pass through the "market breaker" validation.
- The Validation Override Flag is a request by the Shipper for the GT to bypass the read tolerance checks only.

- Checks will continue to be carried out on the asset data and where the standing data provided by the Shipper on the read communication does not match the data held on the Supply Point Register (as per existing validations) the read will be rejected and not used for AQ calculation.

## 8.6 AQ Correction

8.6.1 This is an exception process to amend the AQ in certain circumstances. This process is not to be used for 'normal' AQ increases or decreases whereby the submission of reads will update the AQ over time. This process can only be used for the following reasons:

- a. on the basis of substantial evidence that available reads do not represent actual consumption of gas (e.g. new business, confirmed theft of gas)
- b. because of a change in the consumer's equipment which results in an expected change in gas consumption
- c. [where a reading has been rejected due to the Outer Tolerance \(Market Breaker\) validation](#)

~~e.~~ for the avoidance of doubt, and for the purposes of confirming workgroup discussions, vacant sites are excluded from this exceptions process.

8.6.2 Checks will be carried out to ensure the conditions described under 8.6.1 have been complied with, those that fail will be rejected and the Shipper notified.

8.6.3 An AQ Correction can be raised at any time during the year and for any site subject to 8.6.1 [& 8.6.6](#).

8.6.4 The Shipper notifies the GT of the revised AQ (Shippers reasonable estimate of the site's AQ), a pair of actual meter readings (if available) and the reason for the change in AQ.

[8.6.5 Where an AQ Correction is requested following failure of a meter reading due to the Outer Tolerance \(Market breaker\) the read that failed the validation must be submitted with the request.](#)

[8.6.6 Where an AQ Correction is requested following a 'New Business Activity', this must be submitted by the Registered Shipper within 3 months of registration.](#)

~~8.6.58.6.7~~ [8.6.7](#) GT will consider the information and notify the Shipper within 2 business days of the outcome of the consideration.

[8.6.8](#) Where the AQ Correction request is valid, the AQ will be included in the monthly process timescales described under Section 8.2

~~8.6.6~~ (Note: a valid read will not have been loaded to trigger the AQ review therefore this may require the GT to load a read in order for the Meter Point to be included in the monthly AQ review.

~~8.6.78.6.9~~ [8.6.9](#) A successful AQ Correction request will create a 'back-stop' date so any future AQ calculations will not use consumptions prior to the AQ Correction.

~~8.6.88~~8.6.10 The Shipper will record and retain all evidence in support of the AQ Correction request and provide it to the GT when requesting a change.

~~8.6.98~~8.6.11 Any rejected requests will be notified to the Shipper together with the reasons for rejection and the Current AQ will apply.

~~8.6.108~~8.6.12 The Current AQ will continue to apply until the AQ Correction has been accepted as valid by the GT and the new AQ is effective.

~~8.6.118~~8.6.13 If the GT receives further Meter Readings that better meet the criteria set out in Section 8.3 than those submitted by the Shipper, the Notified AQ will be calculated from these Meter Readings.

## 8.7 DM Mandatory Threshold Crosser

8.7.1 Where the Revised AQ of a Meter Point is greater than 58,600,000 kWh for 3 consecutive calculations of the AQ or for 3 calculations in the preceding 18 month period, but is not already classified as a DM Mandatory site and within Product 1, the Daily Read Requirement will apply. Where an AQ has reached the DM Mandatory threshold, or where currently in Product 1 where the AQ is below the DM Mandatory threshold, a notification will be issued to the Shipper and the relevant GT notifying of the Revised AQ.

Note: The responsibility remains with the Shipper to liaise with the relevant Network for Daily Read Equipment to be installed and transfer the Supply Meter Point into Class 1.

8.7.2 Where a Supply Meter Point in Product 4 is not recorded as a Monthly Meter Read Frequency but exceeds 293,000 kWh a notification will be sent to the Shipper

~~8.7.28~~8.7.3 Where Emergency Contact Details are required due to the AQ of the Supply meter Point, a notification will be sent to the Shipper

8.7.4 Where a Supply Meter Point is classified as a Priority Consumer but the AQ has fallen below the AQ threshold a notification will be issued to the Shipper.

## 8.8 **Supply Point Offtake Quantity (SOQ) & AQ for Transportation Charging Purposes**

8.8.1 For sites in Products 3 and 4 there will be two (2) AQ and SOQ values held by the GT;

- a. An AQ and SOQ value for the purposes of a charging unit for transportation charges and
- b. An AQ and SOQ value for the purposes of business processes

8.8.2 The AQ and SOQ value for transportation charges will be a fixed value for 12 months. The values will be a snapshot of the AQ & SOQ calculated as part of the AQ review process.

~~8.8.28.8.3~~ For the purpose of transportation charges effective from the 1<sup>st</sup> April each year, the AQ and SOQ as at the 1<sup>st</sup> December the previous year will be used

Note: The AQ derives the charging band, the SOQ derives the rate.

Note: ~~The date the snapshot the SOQ will be taken and the effective date of the SOQ is yet to be determined by DNCMF Workgroup. Both these dates and the period for which the SOQ will be fixed must be parameterised values.~~

~~8.8.38.8.4~~ The SOQ for business processes will be changed in line with the AQ for Product 3 and 4 sites.

~~8.8.48.8.5~~ The Shipper will continue to nominate the SOQ and SHQ for Product 1 and 2 sites only.

## 8.9 Winter Annual Ration (WAR Bands)

8.9.1 A WAR band will be applied to all NDM (Class 3 & 4) Meter Points where the AQ is equal to or greater than 293,000 kWh.

8.9.2 WAR Bands will continue to be calculated and notified to the Shipper annually in May based on the winter consumption during the previous year. A notification of the WAR Band will be issued again in September.

8.9.3 The WAR Band will be effective from 1<sup>st</sup> October.

8.9.4 The Shipper can challenge the WAR band via the AQ Correction process providing the relevant information.

~~8.98.9.5~~ The request will need to specify the winter consumption value which will be validated against the AQ (less than or equal to the AQ).

~~8.9~~

## ~~8.98.10~~ WAR Bands and EUCs

~~8.9.18.10.1~~ The WAR bands and applicable EUCs will be updated in line with the AQ following receipt of a valid read.

~~8.9.28.10.2~~ The EUCAQ will reflect any Meter Point cross over in WAR bands will be allocated based on the revised AQ and will be effective from the 1<sup>st</sup> day of the month following the AQ Notification day.

## ~~8.108.11~~ Prime and Sub-deduct Meters



~~8.40.18.11.1~~ Except for the requirement described under Section 8.10.3, the existing arrangements for Sub-deduct Arrangements will continue to apply as per UNC G1.8.

~~8.40.28.11.2~~ The requirement to obtain meter readings within a 5 day window will continue to apply as per UNC G1.8.4 for all Prime and Sub-deduct meters in the same configuration.

~~8.11.3~~ Except for Prime or Sub-deduct meters which meet the DM Mandatory threshold, all Prime and Sub-deduct meters in the same configuration shall be processed under the same 'Product' ~~(as per the 'Meter Read Submission and Processing and Settlement Arrangements BRD')~~ and have the same Meter Reading Frequency.

~~8.11.4~~ When a valid read is received for the Prime meter the AQ will be calculated based on the netted off position from the Sub meters, either actual or estimated,

~~8.40.38.11.5~~ When a valid read is received for the Sub-deduct meter the AQ will be calculated.

## ~~8.118.12~~ Other Parameter Changes

~~8.11.18.12.1~~ Following a revision to the Seasonal Normal Composite Weather Variables, the AQ and SOQs will be revised at the first Notification Day following the update in Weighted Average Annual Load Profile.

## ~~8.128.13~~ AQ Communication

~~8.12.18.13.1~~ A notification will be issued to the Shipper of all Revised AQs. The communication will include;

- MPRN
- Existing AQ
- Existing SOQ & SHQ
- Existing EUC & EUC Description\*
- Existing WAR band\*
- Revised AQ
- Revised SOQ and SHQ\*
- Revised EUC & EUC Description\*
- Revised WAR Band\*
- Effective date
- Start Meter Reading & Date
- End Meter Reading & Date
- Prorated Winter Consumption\* (Prorated WC over the optimum winter period, potentially used to derive EUC)
- Percentage AQ Change



- BSSOQ \*

~~8.12.28.13.2~~ A notification will be issued to the Shipper of all AQs that have not been calculated although a valid read was loaded. The communication will include;

- MPRN
- Reason why a revised AQ was not calculated
- Existing AQ value rolled over
- Existing SOQ and SHQ rolled over\*
- Existing EUC & EUC Description\*
- Existing WAR band\*
- Start Meter Reading & Date
- End Meter Reading & Date
- Prorated Winter Consumption \* (Prorated WC over the optimum winter period, potentially used to derive EUC)
- Rejected BSSOQ \*

~~8.12.38.13.3~~ The above notifications will be issued separately.

\* value will only be populated where applicable

~~8.12.48.13.4~~ GTs will be issued with monthly reports detailing a summary of AQ and SOQ changes.

~~8.12.58.13.5~~ Notifications to also be issued to the current and prospective Shippers when the 'Billing AQ and SOQ have changed.

## ~~8.138.14~~ **Publication of Information**

~~8.13.18.14.1~~ Both the current and prospective AQ to be made visible to Shippers (currently via Data Enquiry service)

~~8.13.28.14.2~~ The data items listed under 8.13.3 are likely to be required for industry reporting.

Note: This is not a complete list, the reports will be defined once existing Modifications around AQ reporting are completed which will provide the Workgroup with reporting principles and the scope of the reports based on decisions made within the Modification Workgroups.

~~8.13.38.14.3~~ Data items required for industry reports include, but is not limited to;

- No. of MPR's by Shipper by Product where a new AQ has been calculated and Revised
- No. of MPR's by Shipper by Product where a new AQ has not been calculated
- % of portfolio

- Sum of current AQ
- Sum of Revised AQ
- Total MPR's where AQ amended via the AQ Correction process
- Total no. of AQ increases by Shipper
- Total no. of AQ decreases by Shipper

|

## 9-8.15 Transitional Rules

Transitional rules are required to deal with the period ~~immediately prior to and~~ following the implementation of these rules-

### 8.15.1 AQ Review

- The new arrangements will calculate an AQ monthly if a valid read has been submitted within the AQ period and other AQ process rules are satisfied.
  - AQ review activities leading upto 1<sup>st</sup> October 2015 will be performed
  - The first valid read loaded after Go Live will be considered for calculation of an AQ which, if calculated will go live from the 1<sup>st</sup> of the following month
  - The AQ calculation will use the reads migrated over from the existing UKLink system
  - Offer Addendum process will close mid-September (all Offers will be invalidated as at Go Live)

### 8.15.2 AQ Amendments

- The existing AQ Amendments process will cease to exist as meter reads will be validated on submission of the read.
  - There will be no AQ Amendments after August 2015

### 8.15.3 AQ Appeals

- The existing AQ Appeals process will cease to exist as meter reads will be validated on submission of the read.
  - Appeals window will not re-open when it closes in July 2015
  - Any outstanding Appeals will be invalidated 1 month before Go Live (to ensure AQ data is not amended prior to migration)

### 8.15.4 Threshold Crossers (Mod 640 Adjustments)

- Supply Meter Points that cross the threshold from SSP to LSP will continue to exist under the new arrangements but the End of Year AQ Reconciliation process will not be required due to individual meter point reconciliation.
  - The meter points that have moved from SSP to LSP market will be determined beginning of October
  - The Mod 640 invoice to be issued end of December
  - There will not be an appeal period for the meter points identified as threshold crossers

~~Any transitional requirements/issues will be identified during the analysis stage and discussed at the Workgroup.~~

## 9.1 Implementation Date

The workgroup do not believe there are any process or system restrictions for when a rolling AQ regime can be implemented however this may change following detailed analysis of the requirements.

If an annual review is not carried out before the rolling AQ process is implemented there may be an issue with some MPRs not having their AQ reviewed until the next valid read is loaded which could be as long as 2 years (assuming a read is obtained as a result of the Must Read obligation)

## 9.2 Threshold Crosser Adjustments

Current Modification 0640 Threshold Crosser Adjustments will not be required if the Rolling AQ processes are implemented with or after Meter Point Reconciliation. If Rolling AQ is implemented before Meter Point Reconciliation the Mod 0640 adjustments will need to continue. Further discussion and analysis will be required if this is the case.

## 10.9. Non-Functional Business Requirements

## 41.10. Document Control

### Version History

Version	Status	Date	Author(s)	Summary of Changes
0.1	Initial Draft	05/07/2011	Xserve	First draft
0.2	Draft	19/07/2011	Xserve	Updated following PN UNC Workgroup meeting on 18/07/2011
0.3	Draft	16/08/2011	Xserve	Updated following PN UNC Workgroup on 03/08/2011
0.4	Draft	08/09/2011	Xserve	Updated following PN UNC Workgroup on 06/09/2011
0.5	Draft	23/09/2011	Xserve	Updated following PN UNC Workgroup on 20/09/2011
0.6	For industry review	28/10/2011	Xserve	Updated following PN UNC Workgroup on 25/10/2011
1.0	Baselined Approved version	22/11/2011	Xserve	Approved at PN UNC Workgroup on 21/11/2011
2.0	Updated Baselined Approved version	30/03/2012	Xserve	Updated following request at PN UNC on 06/12/2011 to add paragraph under section 8.2.1 and amended format for uploading document into Requirements management tool. Replaced process maps as minor amendments made (clarifications) & amended document to reflect changes agreed at PN UNC on 07/02/12 and 13/03/12.
2.1	Updated baselined version for approval	21/01/2013	Xserve	Updates agreed at PN UNC
2.2	Updated baselined version for approval	05/02/2013	Xserve	Updates agreed at 05/02/2013 PN UNC.

3.0	Approved	05/02/2013	Xserve	Version 2.1 agreed at PN UNC on 05/02/2013
3.1	Updated for Approval	07/03/2013	Xserve	Updated following changes agreed at PN UNC
3.2	Updated for approval	02/04/2013	Xserve	Updated process maps
4.0	Baselined	07/05/2013	Xserve	Baselined version of 3.2
4.1	Updated for approval.	07/10/2013	Xserve	Updated version following review of legal text v BRD
4.2	Updated for approval	25/10/2013	Xserve	Clarification added to section s 6.1.9, & 8.3.4 following a query.
5.0	Baselined	25/10/2013	Xserve	Baselined & clean version of 4.2
<a href="#">5.1</a>	<a href="#">Updated for approval</a>	<a href="#">13/01/2015</a>	<a href="#">Xserve</a>	<a href="#">Updated to reflect UNC legal text for Modification 0432 and changes as agreed at PN UNC.</a>
<a href="#">5.2</a>	<a href="#">Updated for approval</a>	<a href="#">26/01/2015</a>	<a href="#">Xserve</a>	<a href="#">Updated following PN UNC on 20/01/2015. Additional clarifications to the table under section 2.1</a>
<a href="#">5.3</a>	<a href="#">Updated for approval</a>	<a href="#">11/02/2015</a>	<a href="#">Xserve</a>	<a href="#">Updated following PN UNC on 10/02/2015. Additional clarifications to the table under section 2.1</a>

## Reviewers

Name	Version	Date
AMR Workgroup attendees	All	
PN UNC	All	

## Approval

Name	Version	Date
PN UNC	1.0	21/11/2011
PN UNC	2.0	30/03/2012
PN UNC	3.0	05/02/2013

PN UNC	4.0	07/05/2013
PN UNC	5.0 (PN UNC approved version 4.1)	22/10/2013