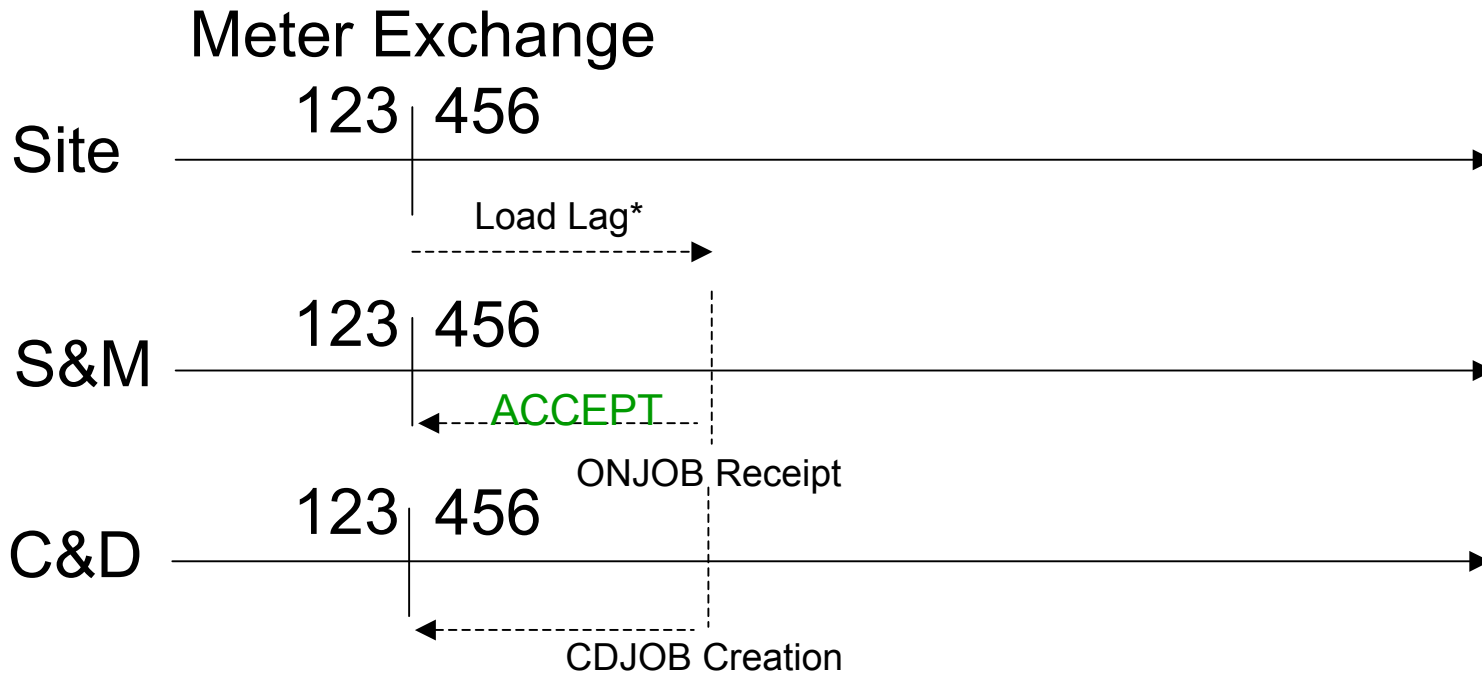


Physical Meter Works Updates

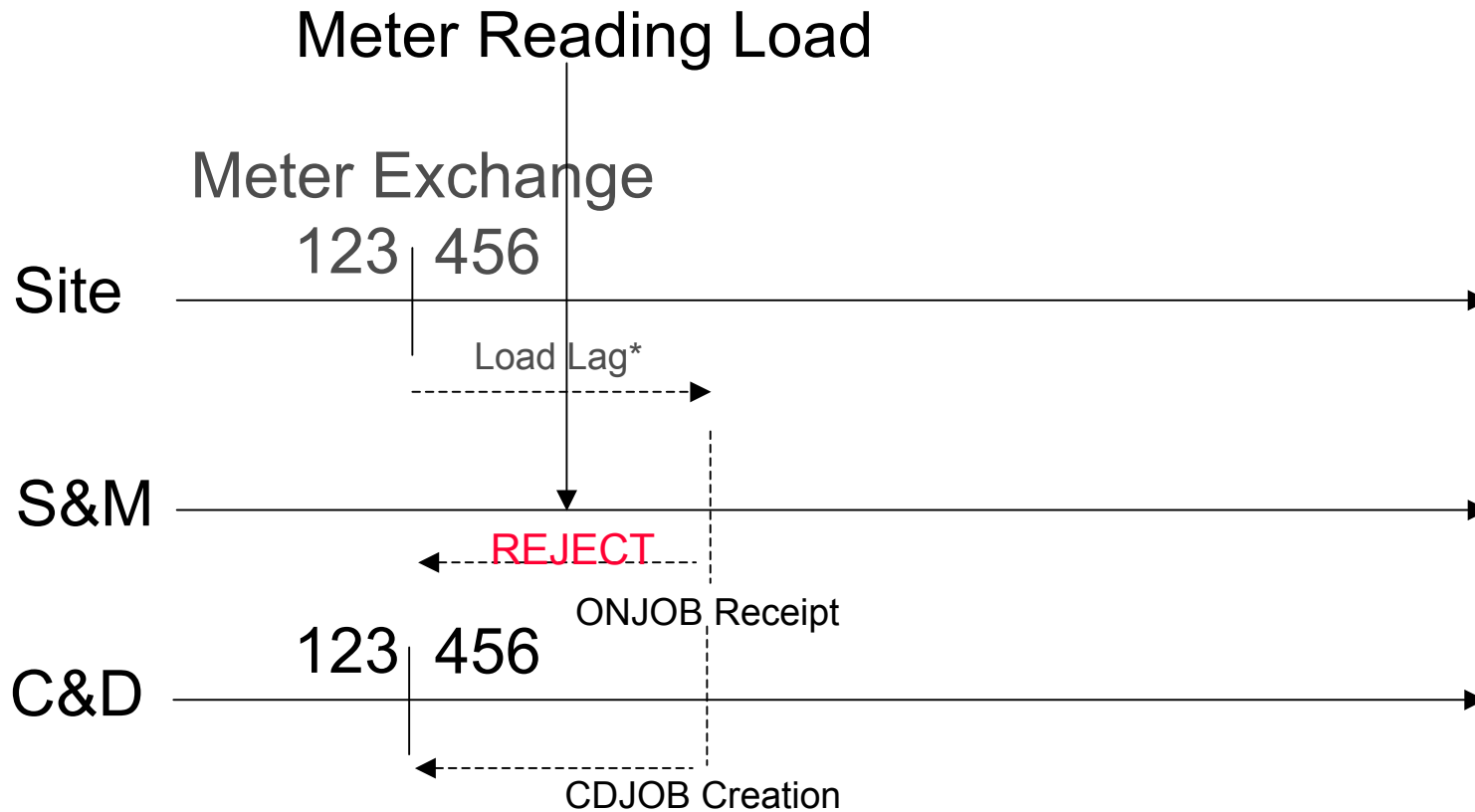
Presented to UK Link Committee
by Dave Addison
11 August 2005

'Normal' Exchange



* Load Lag - 7 day UNC obligation between actual work date and receipt date

Exchange with Subsequent Historical Activity



* Load Lag - 7 day UNC obligation between actual work date and receipt date

Exchange with Subsequent Historical Activity

