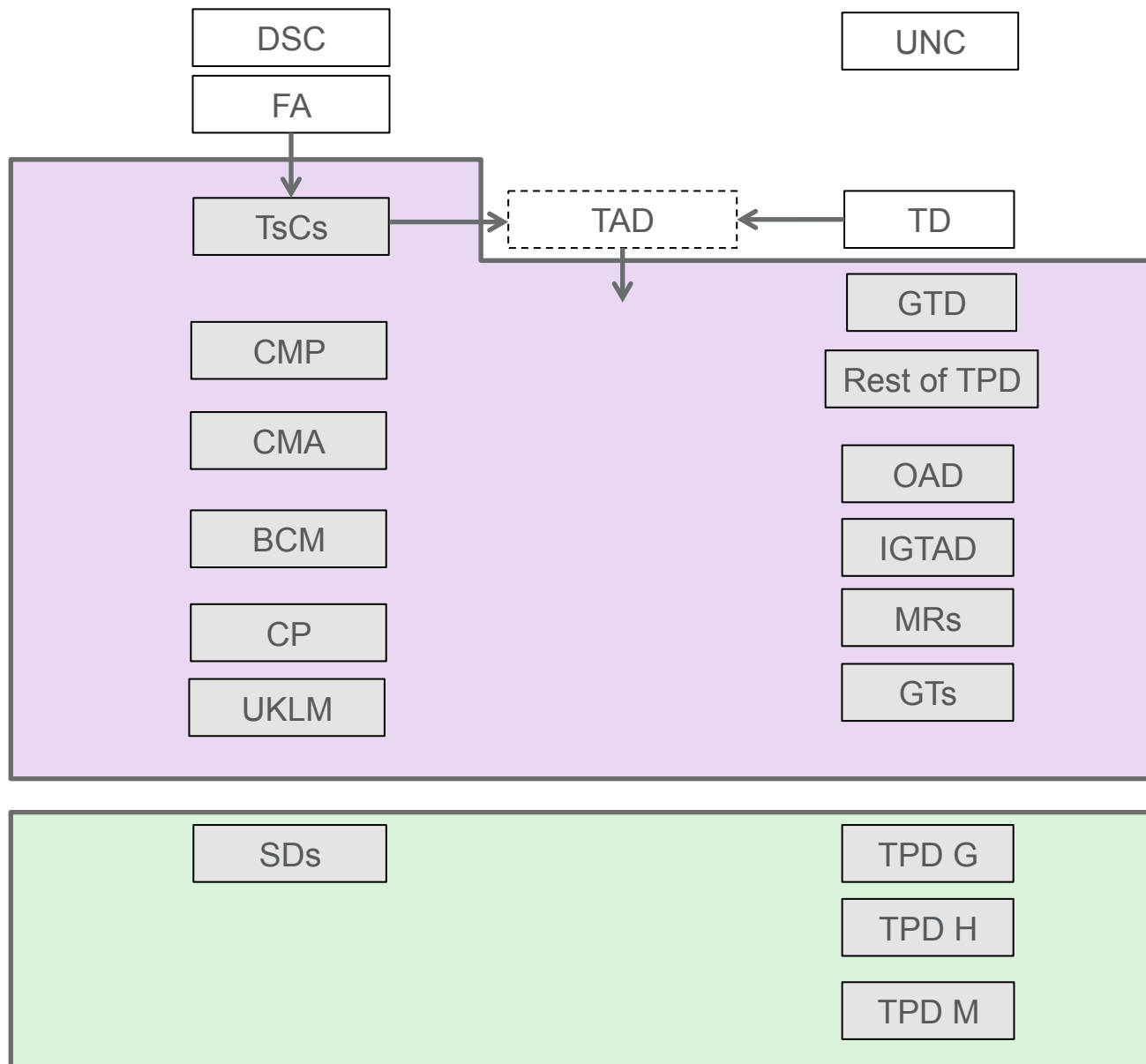


FGO - DRAFTING APPROACH FOR 1 APRIL 2017



Drafting will be done on a post - Nexus basis and TAD will suspend provisions of the UNC and the DSC where required.

Drafting will be done on a pre -Nexus basis and new SDs and TPD G, H and M will be introduced by a further modification.